

Runabout

4200ATR Light Utility Vehicle



20920

710-040P **Parts Manual**



Read the Operator's manual entirely. When you see this symbol, the subsequent instructions and warnings are serious - follow without exception. Your life and the lives of others depend on it!

© Copyright 2006 Printed 04/19/06

Cover photo may show optional equipment not supplied with standard unit.





Table of Contents

Section 1: Introduction.....4
 Using This Manual.....4
 Manual Replacement Information.....4
 Manual Revisions.....4
 Touch-up Paint.....4
 Hardware Legend.....5
 Replacement Hardware.....5
 Serial Numbers.....5
 Part Number Service Coding.....5

RUNABOUT

Section 2: Body, Frame and Suspension.....6
 Body.....6
 Body Accessories.....8
 Four-Post Accessory Bar.....10
 Front Guards.....12
 Main Frame.....14
 Seats.....16
 Suspension.....18
Section 3: Brake System.....20
 Brake Drum Components.....20
 Brake System, Front End.....22
 Brake System, Rear End.....24
Section 4: Controls.....26
 Center Console Components.....26
 Steering Components.....28
 Throttle Components.....30
Section 5: Electrical System.....32
 Electrical Components.....32
 Electrical Schematic.....34
Section 6: Drive Train.....36
 Belt Drive.....36
 Engine With Mounts.....38
 Trans-axle.....40
 Transfer Case Components.....42
Section 7: Tires.....44
 Front Tires.....44
 Rear Tires.....46
Section 8: Decals.....48
 Decals.....48

Part Number Index.....50

© Copyright 2006. All rights reserved.

Land Pride provides this publication “as is” without warranty of any kind, either expressed or implied. While every precaution has been taken in the preparation of this manual, Land Pride assumes no responsibility for errors or omissions. Neither is any liability assumed for damages resulting from the use of the information contained herein. Land Pride reserves the right to revise and improve its products as it sees fit. This publication describes the state of this product at the time of its publication, and may not reflect the product in the future. The illustrations in this manual are not intended for safe and proper assembly or disassembly of equipment. The illustrations are intended for ordering parts only.

Land Pride is registered trademark.

All other brands and product names are trademarks or registered trademarks of their respective holders.

Printed in the United States of America.



Alphabetized Table of Contents

RUNABOUT

B

Belt Drive.....	36
Body.....	6
Body Accessories.....	8
Brake Drum Components.....	20
Brake System, Front End.....	22
Brake System, Rear End.....	24

C

Center Console Components.....	26
--------------------------------	----

D

Decals.....	48
-------------	----

E

Electrical Components.....	32
Electrical Schematic.....	34
Engine With Mounts.....	38

F

Four-Post Accessory Bar.....	10
Front Guards.....	12
Front Tires.....	44

M

Main Frame.....	14
-----------------	----

R

Rear Tires.....	46
-----------------	----

S

Seats.....	16
Steering Components.....	28
Suspension.....	18

T

Throttle Components.....	30
Trans-axle.....	40
Transfer Case Components.....	42

General Information

Using This Manual

This manual is divided into sections. The first section contains General Information. The remaining sections divide the machine into segments (i.e. Frames, Drives, Hydraulics, etc.) which illustrate and list all parts. A Parts Number Index is located at the back of the book.

The Land Pride parts in this manual are specially designed for this machine and should be replaced with Land Pride parts only.

The information in this manual is current at time of printing. Some parts may change to assure top performance.

Right-hand and left-hand as used in this manual are determined by facing the direction the machine will travel while in use.

Below is an example of two facing pages from a parts manual. Familiarize yourself with the type of information contained on these pages.

Manual Replacement Information

Replacement manuals are available. Refer to our website at www.landpride.com, the Land Pride Support Center CD or e-mail us at lit@landpride.com for additional information. Our website continues to provide the most up-to-date manuals available.

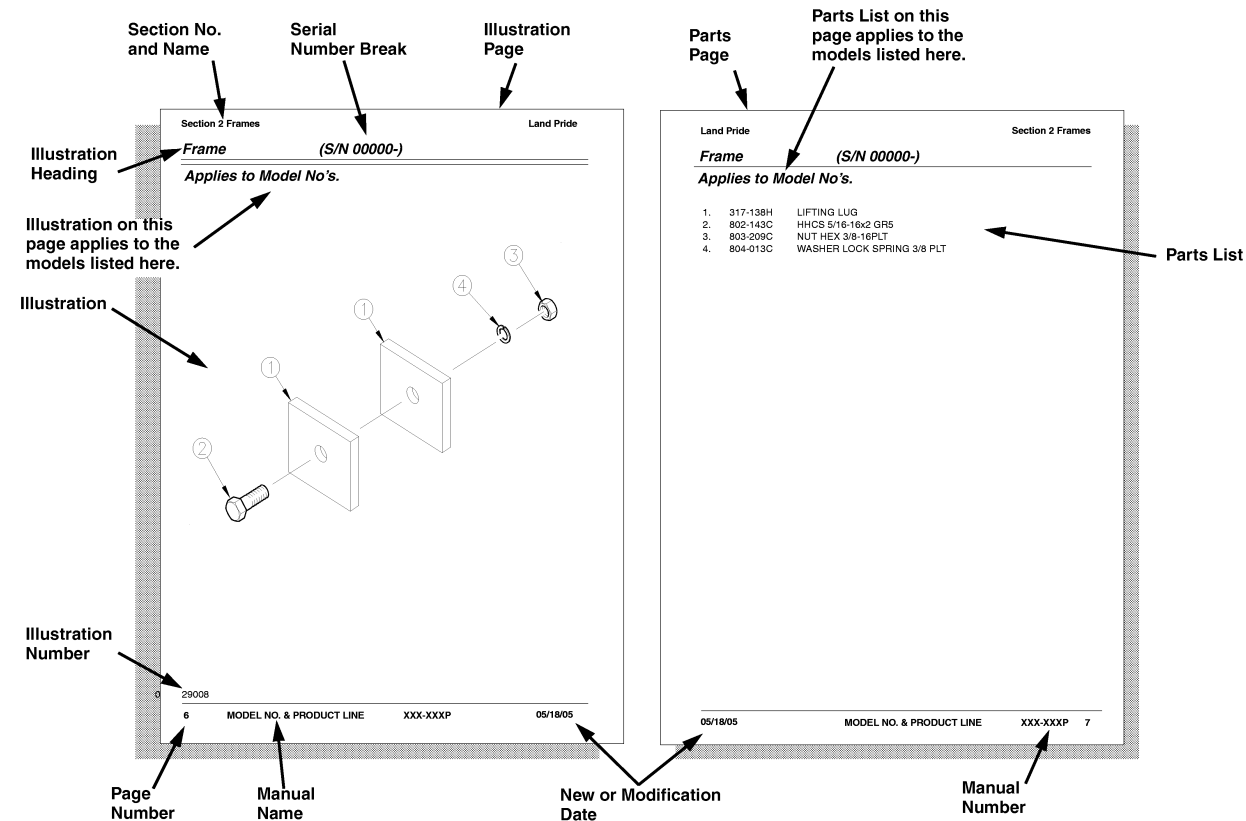
Touch-up Paint

Repaint parts where paint is worn or scratched to prevent rust. Aerosol cans and touch-up bottles with brush applicator are available through your local dealer. Land Pride color descriptions and part numbers are listed below. Also available are quart and gallon size paints. Add QT or GL to end of the Aerosol P/N.

Color	Product ¹	Aerosol	Touch-Up
Gloss Black	LP	821-032C	821-032CTU
Medium Gloss Black	UV	821-053C	821-053CTU
Beige	LP	821-011C	821-011CTU
Green	SLP	821-058C	821-058CTU
Orange	SLP	821-066C	821-066CTU
Red	SLP/UV	821-054C	821-054CTU
Blue	SLP/UV	821-067C	821-067CTU
Dark Green Sparkle	UV	821-055C	821-055CTU
Gondo Forest Green	UV	821-057C	821-057CTU
Brite Yellow ²	UV	821-056C	821-056CTU
Gondo Yellow ³	UV	821-059C	821-059CTU

Notes:

- 1 LP = All Land Pride Products except Utility Vehicles
SLP = Select Land Pride Products that are available in optional Green, Orange, Red, & Blue colors.
UV = Utility Vehicles
- 2 Used on Trekers and (Runabouts with S/N 407628-)
- 3 Used on Gondos and (Runabouts with S/N 407629+)



General Information

Hardware Legend

AR	As Required
BLADE	Blade Bolt
C	Cap Screw
CP	Cotter Pin
CPHSSS	Cup Point Hex Socket Set Screw
CPSHSS	Cup Point Square Head Set Screw
CPSQHSS	Cup Point Square Head Set Screw
CRFCHMS3	Cross Recess Flat Countersunk Head Machine Screw
CRPHMS	Cross Recess Pan Head Machine Screw
CRPHTFS	Cross Recess Pan Head Thread Forming
CRRHMS	Cross Recess Round Head Machine Screw
CRTHMS	Cross Recess Truss Head Machine Screw
CSNB	Countersunk Square Neck Bolt
FHMS	Flat Head Machine Screw
FTC	Full Thread Cap Screw
H	Hex Nut
HCLN	Hex Center Lock Nut
HFLCS	Hex Flange Lock Cap Screw
HFS	Hex Flange Screw
HFSLN	Hex Flange Serrated Lock Nut
HFSS	Hex Flange Serrated Screw
HHCS	Hex Head Cap Screw or Metric Bolt
HSBHCS	Hex Socket Button Head Cap Screw
HSFCHCS	Hex Socket Flat Countersunk Head Cap Screw
HSHCS	Hex Socket Head Cap Screw
HSSS	Hex Socket Head Screw
HTLN	Hex Top Lock Nut
HWHCS	Hex Washer Head Cap Screw

HWHMS	Hex Washer Head Machine Screw
HXBHCS	Hex Socket Button Head Cap Screw
J	Hex Jam Nut
JIC	37 Degree Tapered Thread
L	Helical Spring Lock Washer
LUG	Lug Bolt
NFC	National Fine Cap Screw
NPSM	National Pipe Straight Mechanical
NPTF	National Pipe Taper Fuel
P	Wide Plain Washer
PHMS	Pan Head Machine Screw
PLOW	Plow Bolt
RHMS	Round Head Machine Screw
RHSNB	Round Head Square Neck Bolt
SCREW LEVELING	Leveling Screw
SCREW THUMB	Thumb Screw
SCREW WELD	Weld Screw
SFCHMS	Slotted Flat Countersunk Head Machine Screw
SFHMS	Slotted Fillister Head Machine Screw
SP	Special
SP SCREW	Special Screw
SQHSS	Square Head Set Screw
SRHMS	Slotted Round Head Machine Screw
SSS	Socket Set Screw
STCS	Self Tapping Cap Screw
STHMS	Slotted Truss Head Machine Screw
WHEEL	Wheel Studs and Hub Long Bolts
WING	Wing Bolt

Replacement Hardware

The **Hardware Legend** above lists hardware abbreviations used in the parts list. All bolts and nuts are Grade 5 unless otherwise noted. The use of improper grades of hardware can result in personal injury, damage to equipment, or loss of property.

Colored Replacement Parts

Land Pride offers replacement parts in factory standard colors and also on select models in Green, Orange, Red and Blue. Because of the variety of colors available, special attention must be given to the part number to prevent ordering the wrong replacement part.

A suffix number corresponding to one of the colors below must be added at the end of Land Pride's part number when ordering a replacement part with that color.

81 **Green** **83** **Red**
82 **Orange** **84** **Blue**

For example, if you are ordering a replacement part with part number 555-555C and the part you need is red, then add the suffix 83 to the end of the number to make the part number read 555-555C83. Parts ordered without a suffix number will be supplied in factory standard colors.

Black Replacement Parts

Some parts are factory standard black and some must be special ordered black. If your part is special ordered black, a second part number with the additional suffix number 85 on the end will be available. In this situation you must order that part with the suffix number for it to be black. Parts that are factory standard black will not have the suffix number.

Part Number Service Coding

Within the parts list some part numbers are coded for revisions and interchangeability. See notations in revision column.

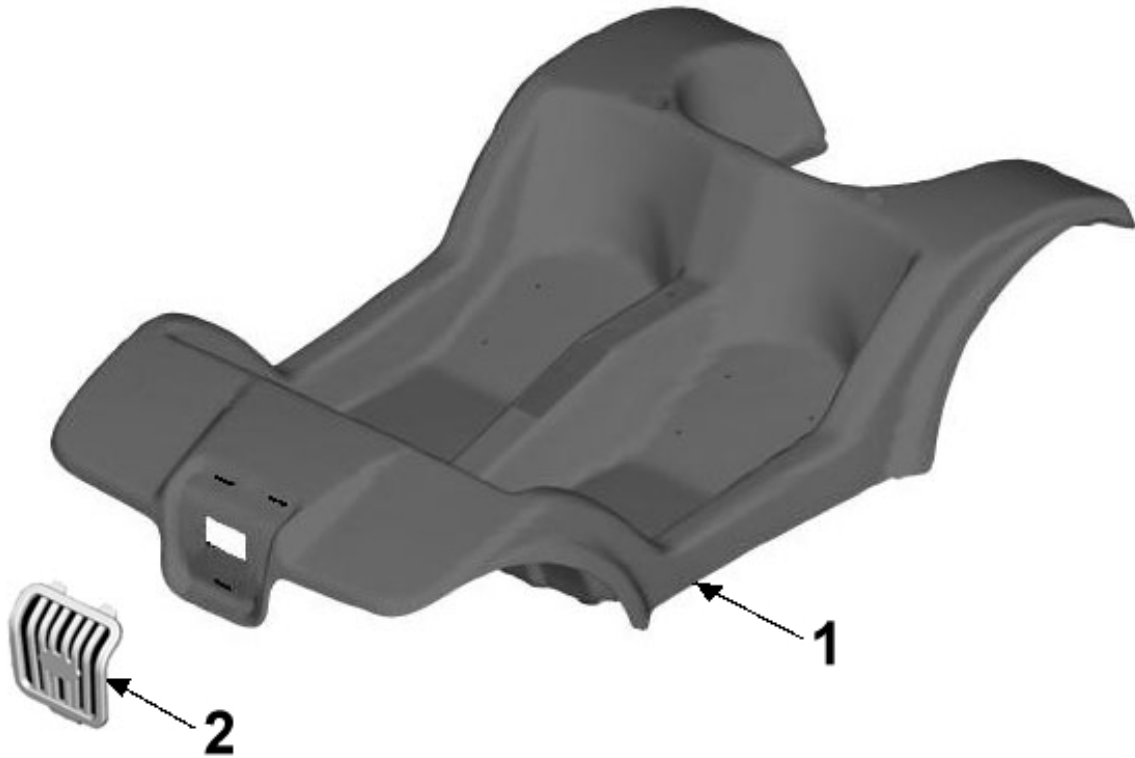
Serial Numbers

Always use the serial and model number when ordering parts. Refer to the Operator's Manual for serial number plate location.

- | | |
|----------------------|------------------------------------------------------------------|
| (S/N 20001+) | Includes serial numbers 20001 and above (to the latest number) |
| (S/N 10001 to 20000) | Includes serial numbers between and including 10001 and 20000 |
| (S/N 10000-) | Includes serial numbers 10000 and below (to the earliest number) |

Body

Applies to 4200ATR



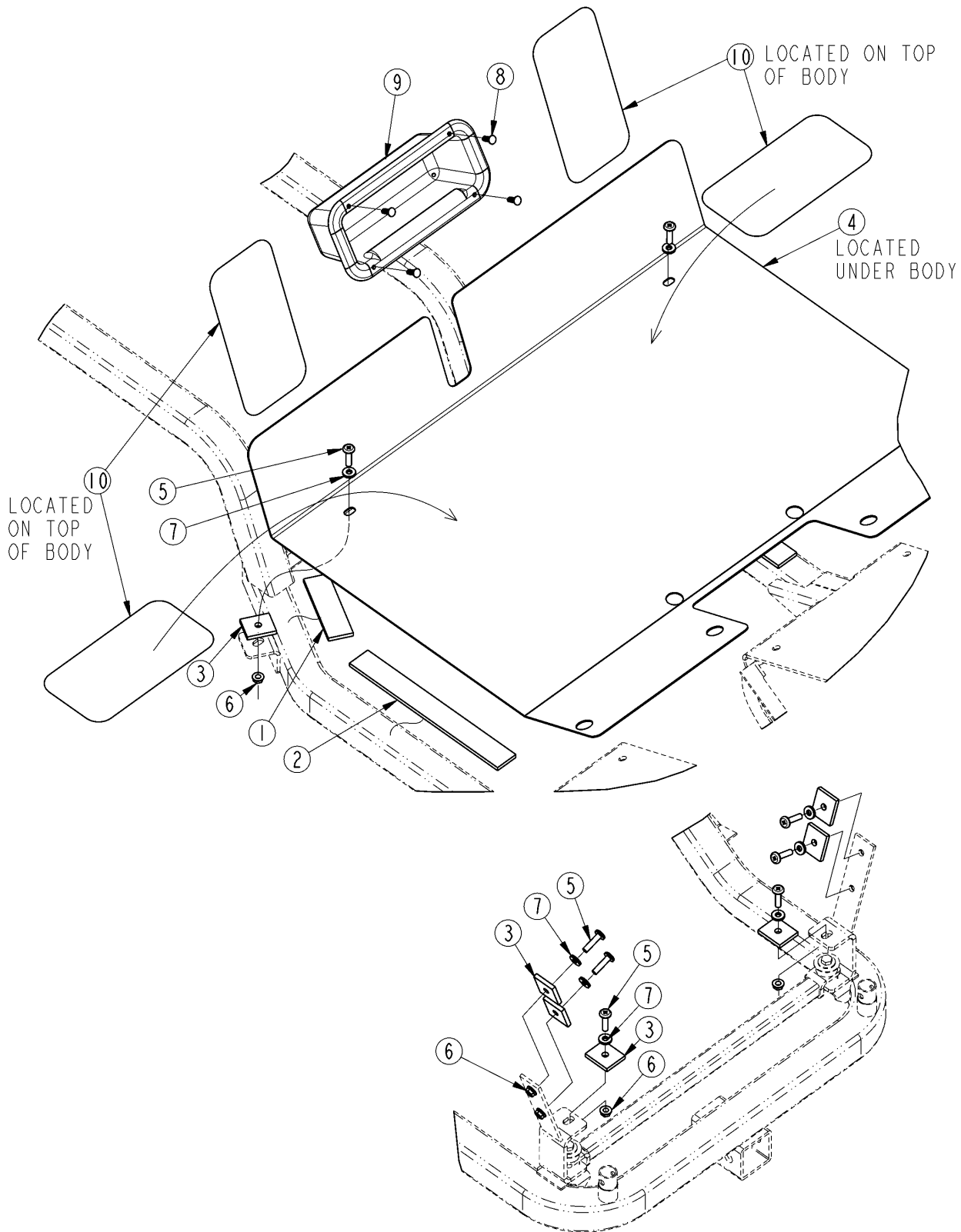
Body

Applies to 4200ATR

Ref	Part No.	Part Description	Comments	Revision
		Image Reference: 21166		
1.	710-027S	ATR BODY GREEN W/DECALS	See Section 8 for decals included	
1.	710-055S	ATR BODY YELLOW W/DECALS	See Section 8 for decals included	
1.	710-056S	ATR BODY RED W/DECALS	See Section 8 for decals included	
1.	710-058S	ATR BODY CAMO W/DECALS	See Section 8 for decals included	
2.	710-059S	ATR GRILL W/LANDPRIDE EMBLEM	See Section 8 for decals included	

Body Accessories

Applies to 4200ATR



21164

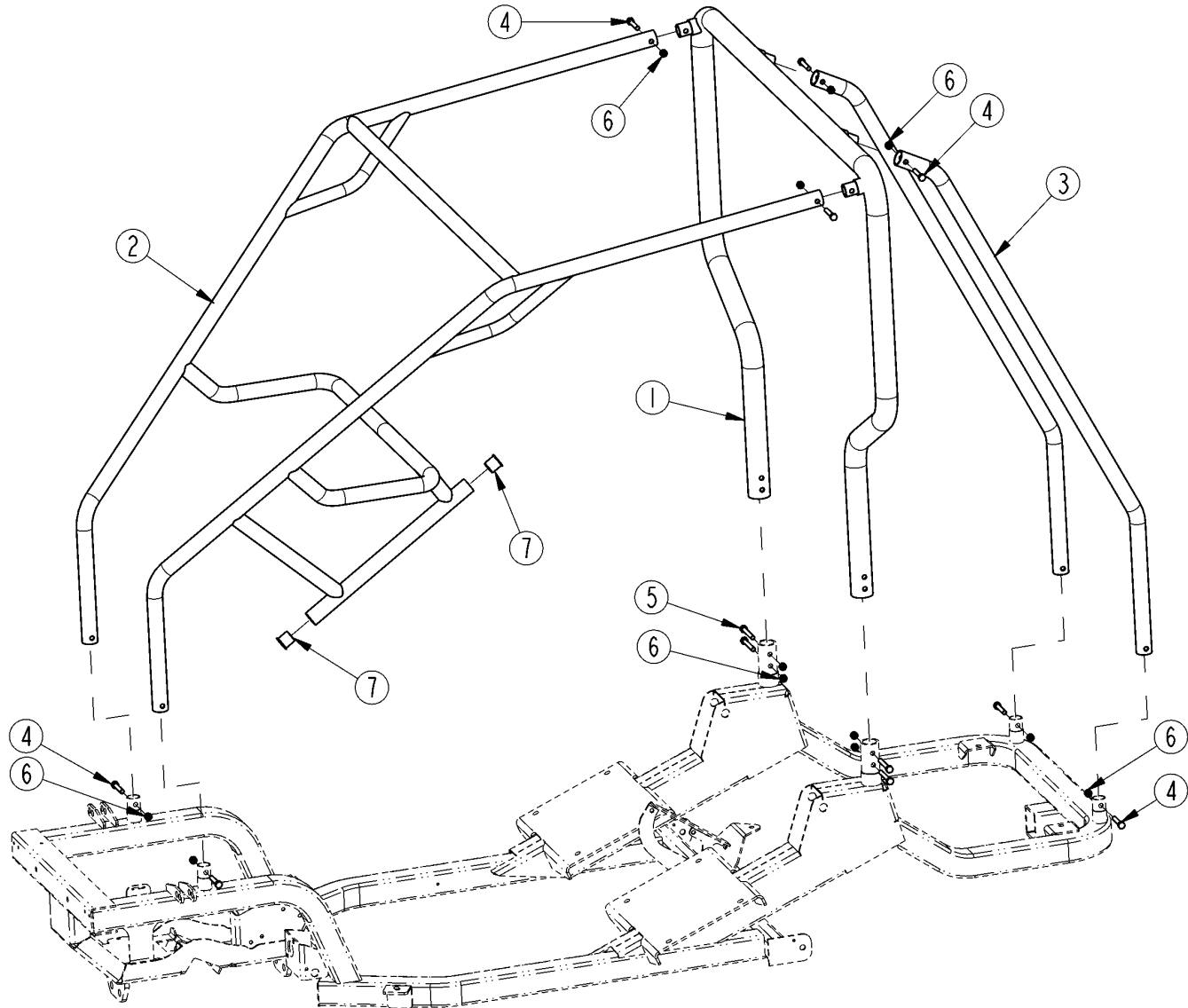
Body Accessories

Applies to 4200ATR

Ref	Part No.	Part Description	Comments	Revision
		Image Reference: 21164		
1.	710-112D	RUBBER BODY PAD SHORT		
2.	710-113D	RUBBER BODY PAD LONG		
3.	710-114D	RUBBER BODY PAD WITH HOLE		
4.	710-121D	BELLY PLATE	S/N (391387+)	
5.	801-184C	PAN HD 5/16-18 1.25LG PHILLPS		
6.	803-177C	NUT HEX LOCK 5/16-18 FLG.		
7.	804-135C	WASHER FLAT 5/16 NEOPRENE PLT		
8.	817-527C	TREE RIVET		
9.	840-106C	STORAGE BOX FOR VEHICLES		
10.	840-107C	3M CONFORM. ANTI-SLIP 10 X 5.0		

Four-Post Accessory Bar

Applies to 4200ATR



21154

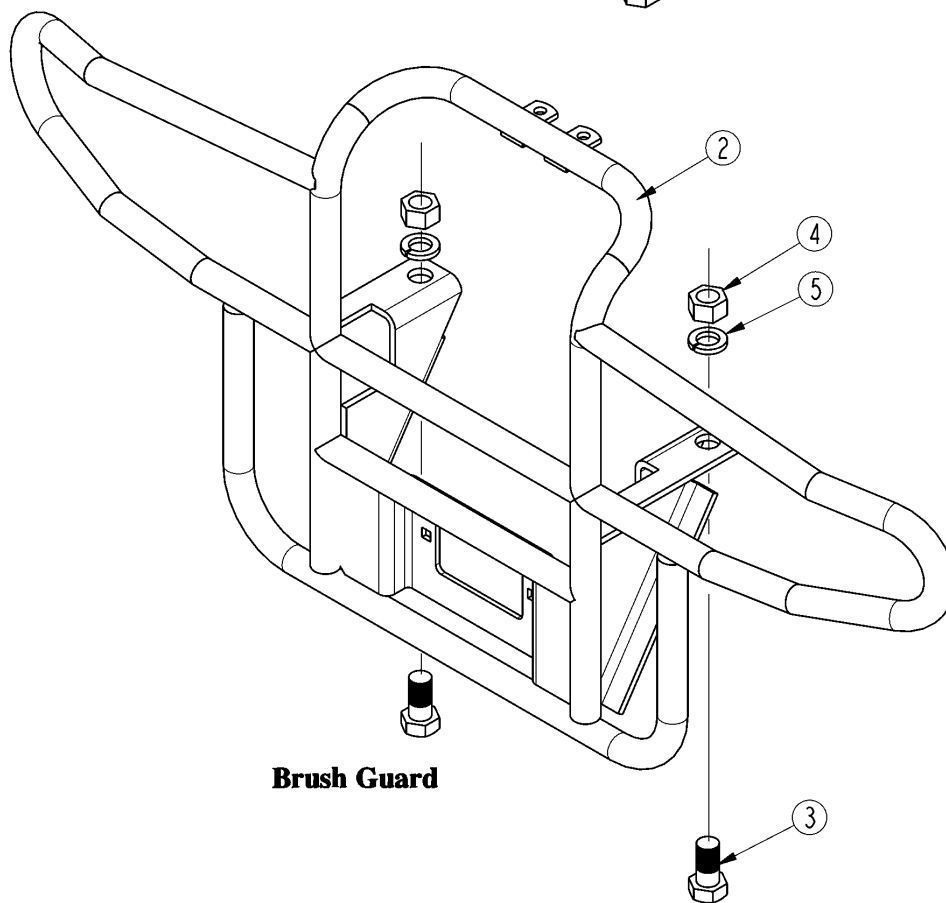
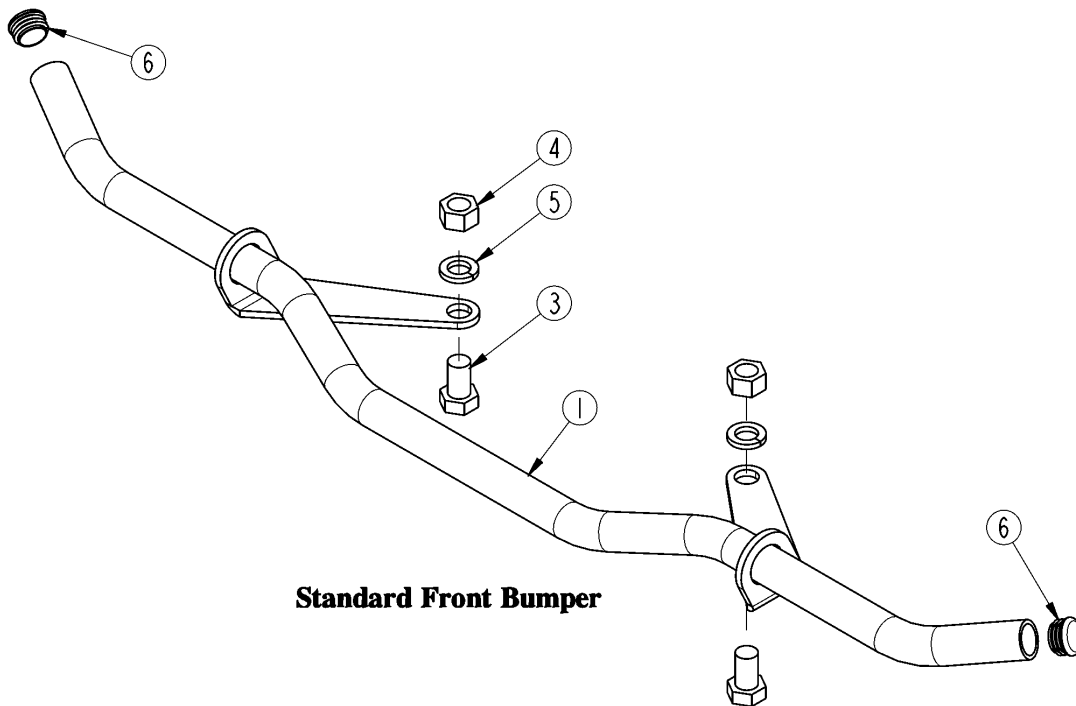
Four-Post Accessory Bar

Applies to 4200ATR

Ref	Part No.	Part Description	Comments	Revision
		Image Reference: 21154		
1.	710-006H	FRAME ACCESSORY MIDDLE WELDMENT		
2.	710-025H	FRAME ACCESSORY FRONT WLDT		
3.	710-052D	FRAME ACCESSORY REAR ATR4200		
4.	802-013C	HHCS 5/16-18X1 3/4 GR5		
5.	802-138C	HHCS 5/16-18X2 1/4 GR5		
6.	803-084C	NUT HEX NYLOCK 5/16-18 PLT		
7.	817-525C	BUSHING 1 OD X .75ID X 1		

Front Guards

Applies to 4200ATR



21165

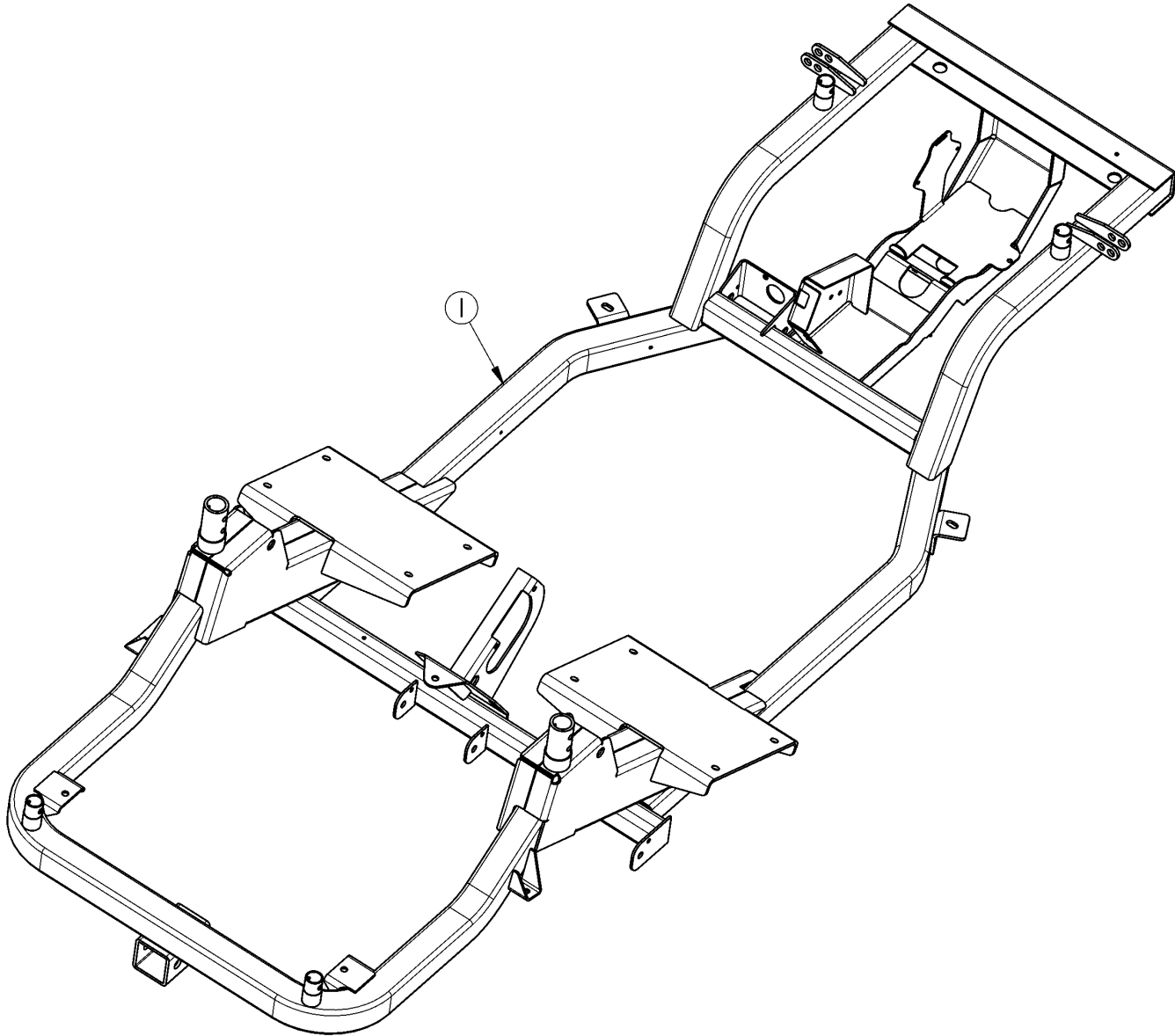
Front Guards

Applies to 4200ATR

Ref	Part No.	Part Description	Comments	Revision
		Image Reference: 21165		
1.	710-046H	FRONT BUMPER ATR WELDMEN	(STANDARD)	
2.	701-014A	BRUSH GUARD ATR	(OPTIONAL)	
3.	802-573C	HHCS 3/4-10X1 1/4 GR5		
4.	803-027C	NUT HEX 3/4-10 PLT		
5.	804-023C	WASHER LOCK SPRING 3/4 PLT		
6.	817-469C	PLUG PLASTIC (1"SCHED. 40 PIPE)		

Main Frame

Applies to 4200ATR



21259

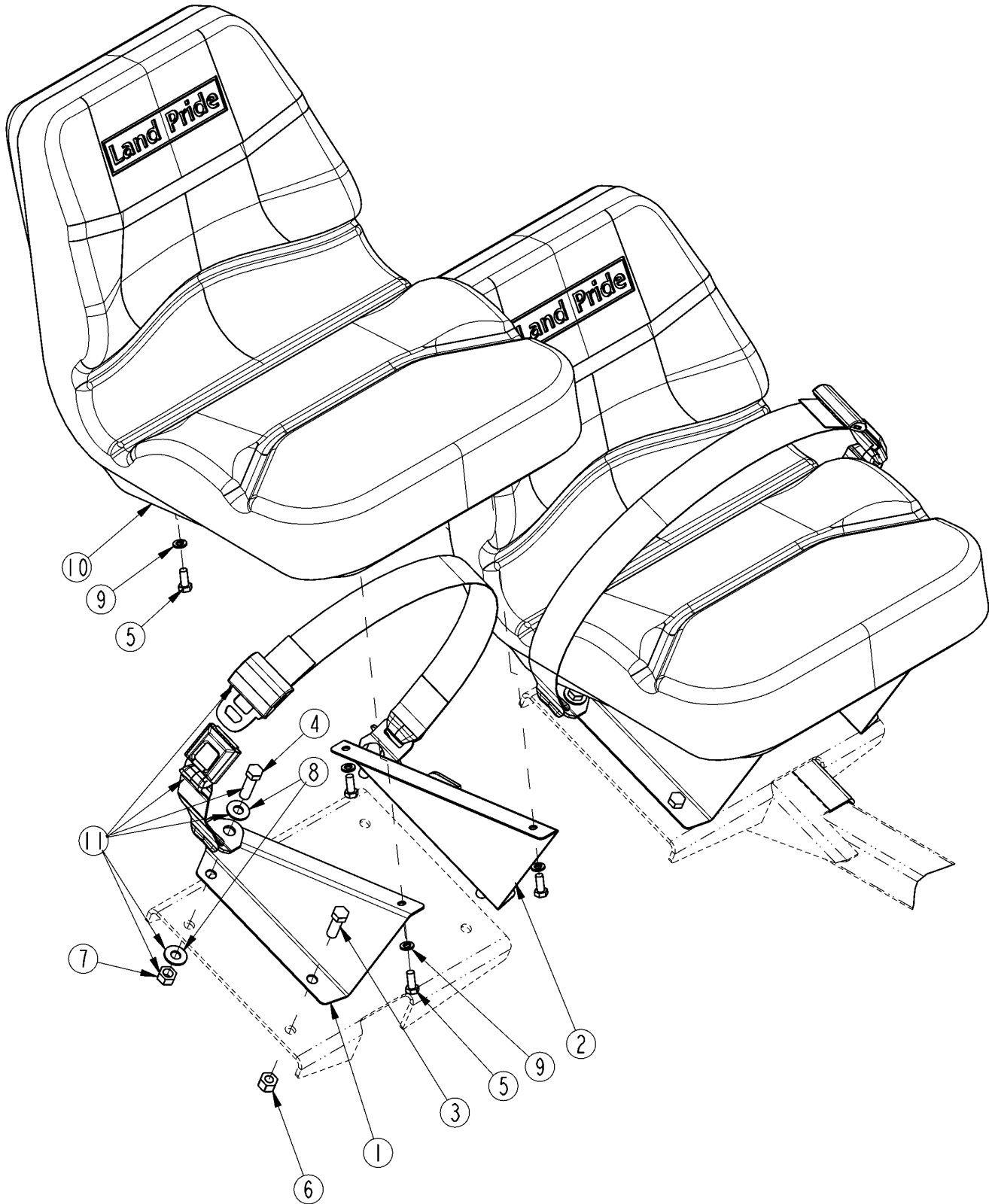
Main Frame

Applies to 4200ATR

Ref	Part No.	Part Description	Comments	Revision
1.	710-001H	Image Reference: 21207 FRAME, MAIN WELDMENT		

Seats

Applies to 4200ATR



21013

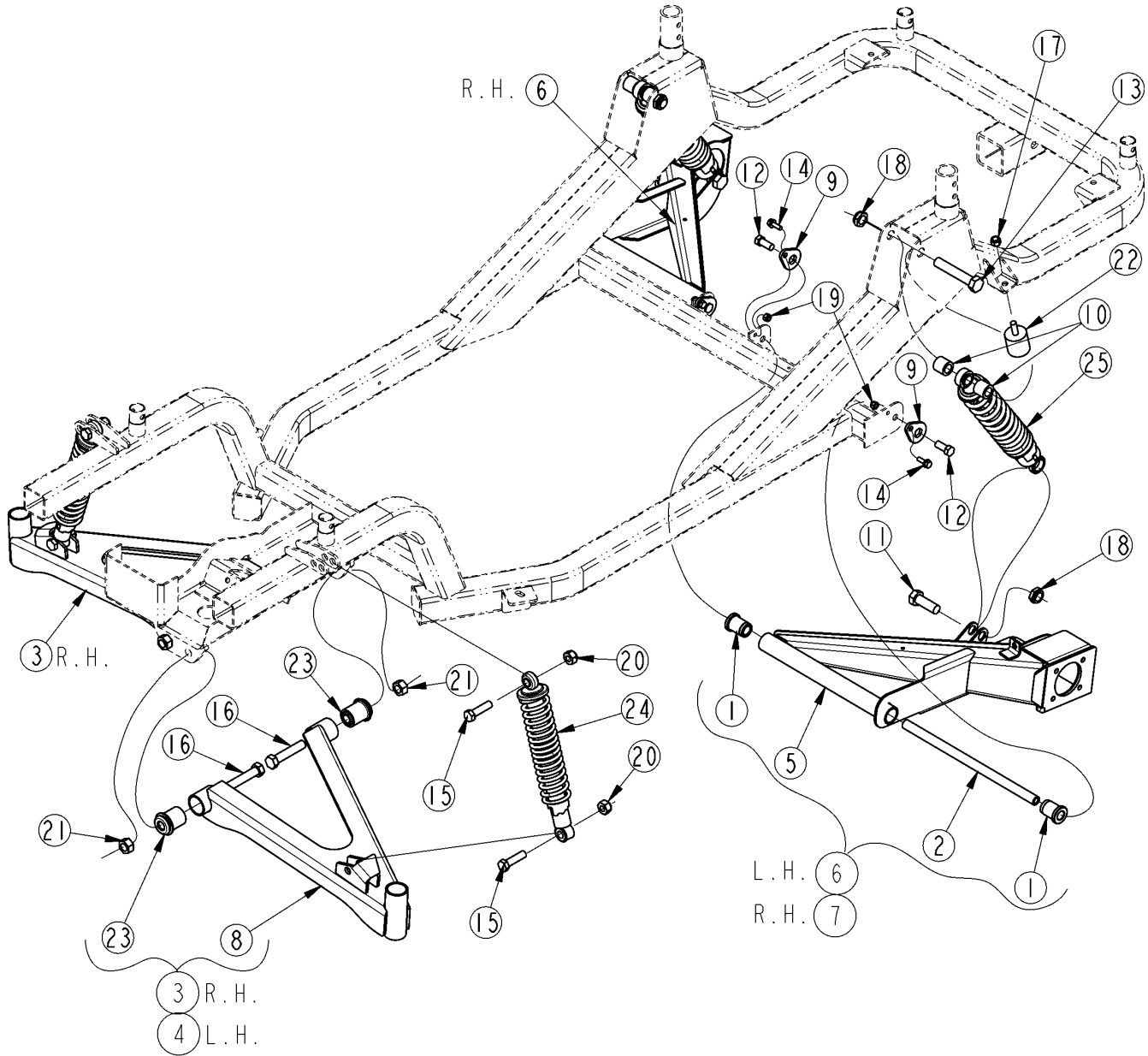
Seats

Applies to 4200ATR

Ref	Part No.	Part Description	Comments	Revision
		Image Reference: 21013		
1.	710-108D	SEAT RISER RH		
2.	710-109D	SEAT RISER LH		
3.	802-227C	HHCS 7/16-20X1 1/4 GR8		
4.	802-229C	HHCS 7/16-20X1 1/2 GR8		
5.	802-735C	HHCS 5/16-18X3/4 GR5 YELLOW DI		
6.	803-108C	NUT HEX 7/16-20 TOP STK GRBPLT		
7.	803-333C	NUT HEX NYLOCK 7/16-20 PLT		
8.	804-011C	WASHER FLAT 3/8 USS PLT		
9.	804-201C	WASHER LOCK SPRING 5/16 YELLOW		
10.	839-300C	BUCKET SEAT ATV BLACK		
10.	839-303C	BUCKET SEAT ATV TAN		
11.	840-073C	SEAT BELT KIT	INCLUDES ITEMS 4, 7 & 8	

Suspension

Applies to 4200ATR



20986

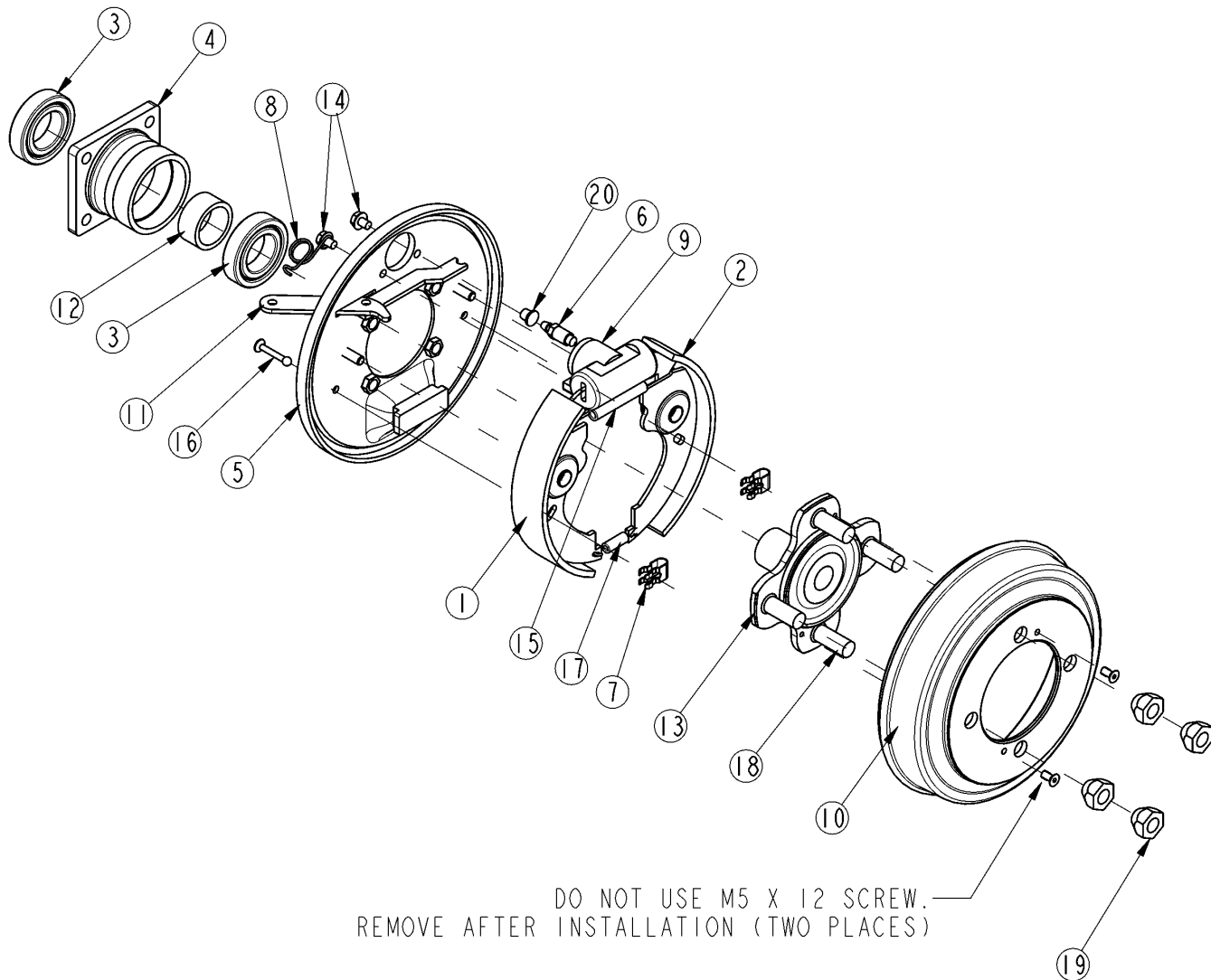
Suspension

Applies to 4200ATR

Ref	Part No.	Part Description	Comments	Revision
		Image Reference: 20986		
1.	700-018D	TRAILING ARM BUSHING		
2.	700-045D	SHAFT TRAILING ARM PIVOT		
3.	710-007S	CONTROL ARM RH ASSEMBLY		
4.	710-008S	CONTROL ARM LH ASSEMBLY	LH SHOWN	
5.	710-023H	TRAILING ARM LH WELDMENT		
5.	710-024H	TRAILING ARM RH WELDMENT		
6.	710-032S	TRAILING ARM LH ASSEMBLY		
7.	710-033S	TRAILING ARM RH ASSEMBLY	LH SHOWN	
8.	710-038H	CONTROL ARM WELDMENT LH		
8.	710-039H	CONTROL ARM WELDMENT RH		
9.	710-094D	KEEPER BOLT		
10.	710-095D	TUBE SHOCK SPACER		
11.	802-053C	HHCS 5/8-11X1 3/4 GR5		
12.	802-080C	HHCS 7/16-14X1 GR5		
13.	802-162C	HHCS 5/8-11X3 1/2 GR5		
14.	802-257C	HFSS 1/4-20X3/4 GR5	S/N (384290+)	Rev. 2
14.	801-174C	HH DRILL SCREW 1/4 X 3/4LG	S/N (384289-)	Rev. 1
15.	802-723C	HHCS M12X1.75X45 G8.8 PLT		
16.	802-726C	HHCS 9/16-12X2 3/4 GR5 YLW PLT		
17.	803-078C	NUT LOCK 3/8-16 NYLON INSERT	S/N (391392+)	Rev. 1
18.	803-094C	NUT 5/8-11 NYLON COLLAR THIN		
19.	803-255C	NUT HEX NYLOCK 1/4-20		
20.	803-281C	NUT HEX NYLOCK M12X1.75 PLT		
21.	803-319C	NUT HEX TOP LOCK 9/16-12 YLW	S/N (384290+)	Rev. 1
22.	816-444C	RUBBER STOP 1 1/2"OD 1 1/2THK	S/N(409641+)	Rev. 2
22.	816-432C	RUBBER STOP 1 1/2"OD 3/4THK	S/N (391392 to 409640)	Rev. 1
23.	817-517C	BUSHING IDLER ARM RUBBER		
24.	840-067C	SHOCK FRONT		
25.	840-068C	SHOCK REAR		

Brake Drum Components

Applies to 4200ATR

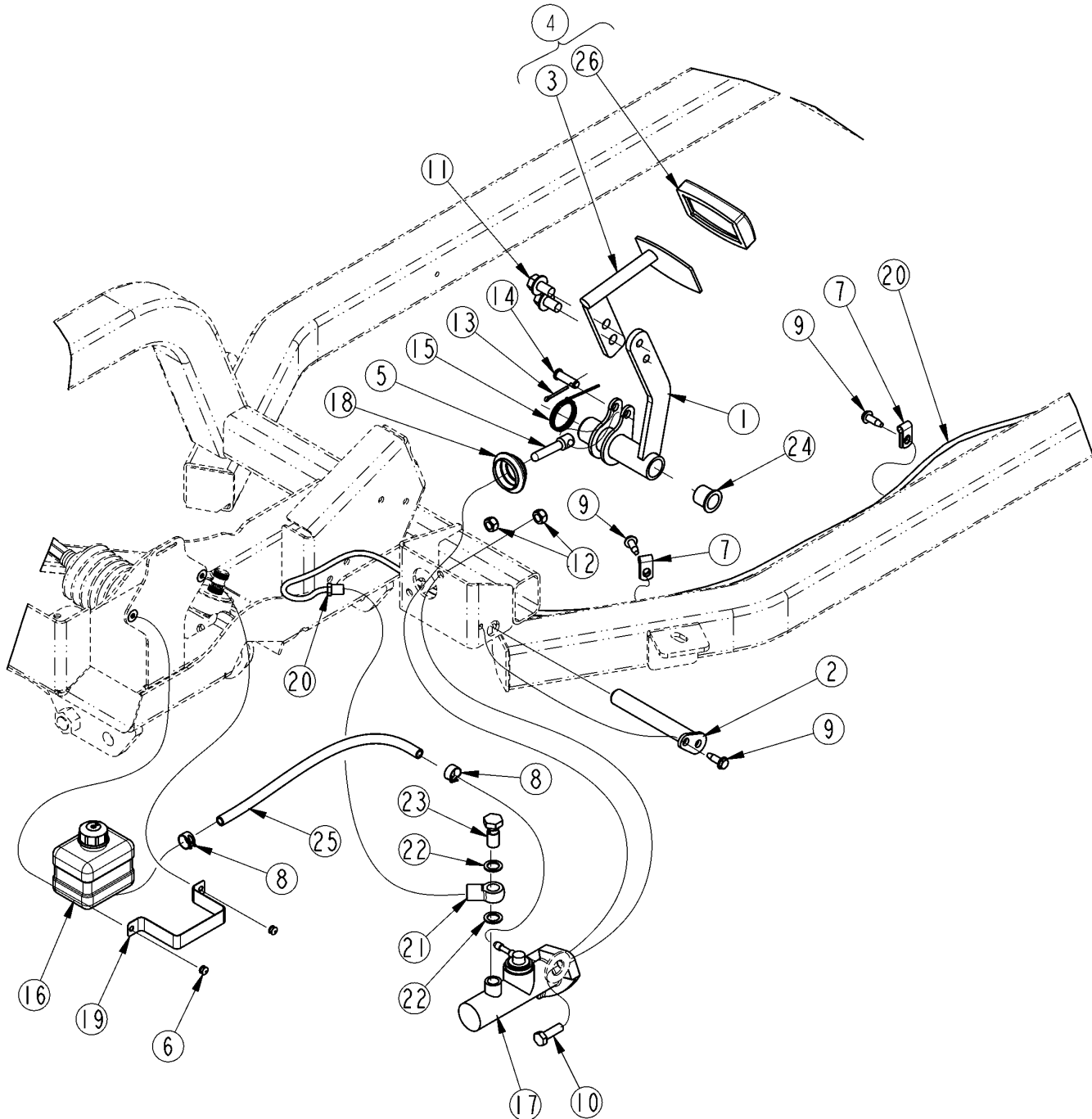


Brake Drum Components**Applies to 4200ATR**

Ref	Part No.	Part Description	Comments	Revision
		Image Reference: 21159		
	815-145C	RH DRUM ASM 180mm 4 ON 4" BC		
	815-146C	LH DRUM ASM 180mm 4 ON 4" BC		
1.	F136	LEFT SHOE		
2.	F137	RIGHT SHOE		
3.	F777	BALL BEARING		
4.	F855	BEARING HOLDER HUB		
5.	F179	BRAKE SHOE DISC RH		
5.	F178	BRAKE SHOE DISC LH	RH SHOWN	
6.	F827	BLEEDER SCREW		
7.	F622	SHOES LOCKING SPRING		
8.	F792	RIGHT SPRING/HAND BRAKE LV		
8.	F793	LEFT SPRING/HAND BRAKE LV	RH SHOWN	
9.	F261	WHEEL CYLINDER		
10.	F908	DRUM		
11.	F176	RIGHT LEVERS SET		
11.	F177	LEFT LEVERS SET	RH SHOWN	
12.	F852	CMX SPACER		
13.	F175	BRAKE FLANGE HUB W/STUDS		
14.	F258	SCREW M6X40		
15.	F610	UPPER RETURN SPRING		
16.	F621	SPRING PIN		
17.	F609	LOWER RETURN SPRING		
18.	F909	STUD	1/2"-20	
19.	803-329C	NUT LUG 1/2-20X60DEG PLT(.81AF		
20.	F828	BOOT		

Brake System, Front End

Applies to 4200ATR



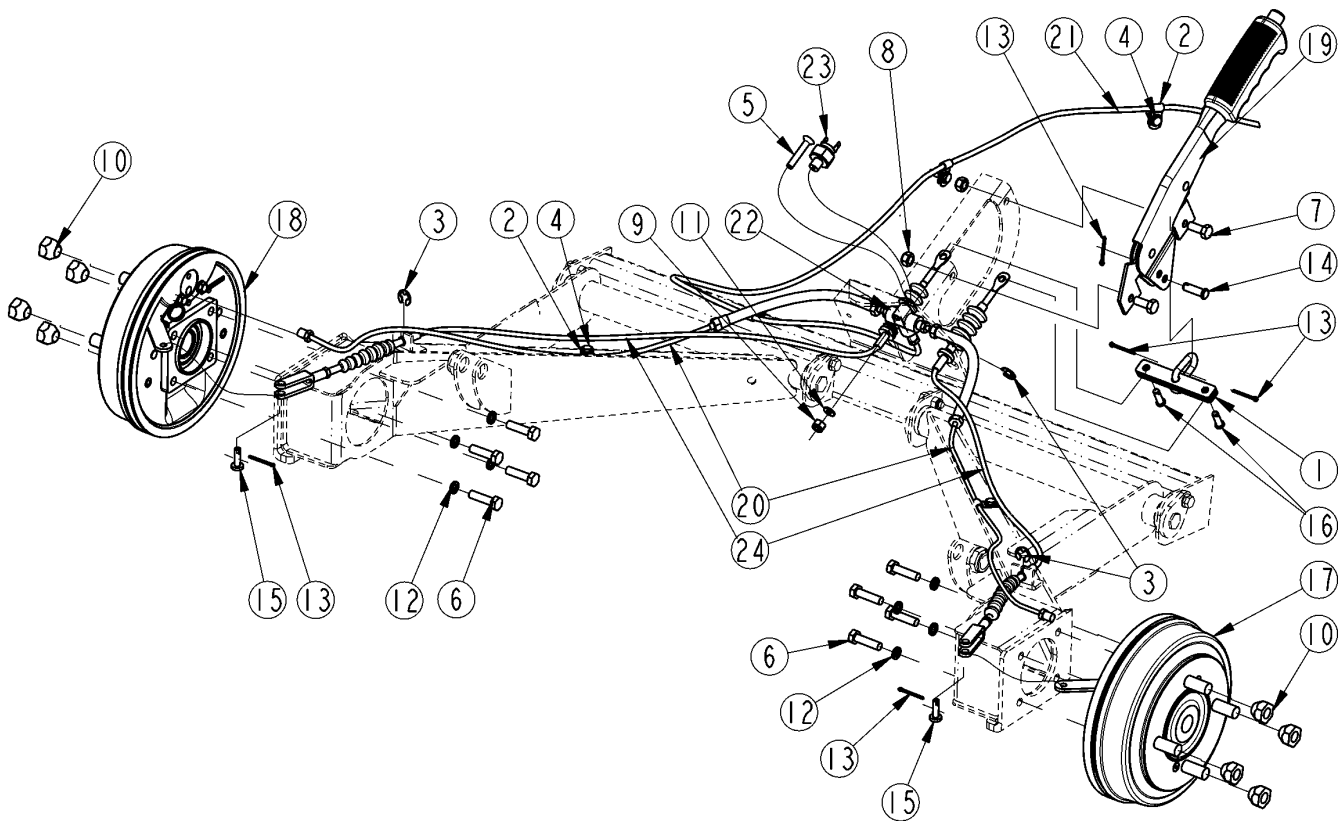
21009

Brake System, Front End**Applies to 4200ATR**

Ref	Part No.	Part Description	Comments	Revision
		Image Reference: 21009		
1.	710-021H	BRAKE RELAY WELDMENT		
2.	710-022H	BRAKE PIN WELDMENT		
3.	710-052H	BRAKE PEDAL WELDMENT		
4.	710-061S	BRAKE PEDAL W/PAD ASSEMBLY		
4.	710-020H	RPBY 710-061S		
5.	710-096D	MASTER CYLINDER PUSHROD		
6.	800-128C	RIVET POP 3/16 .375 SSD66BS		
7.	800-347C	WIRING/TUBE CLIP FOR 1/4 OD		
8.	800-356C	CLAMP PINCH FOR .50 OD HOSE		
9.	801-174C	HH DRILL SCREW 1/4 X 3/4LG		
10.	802-159C	HHCS 5/16-18X1 GR5		
11.	802-732C	HFS 3/8-16X5/8 GR5 YELLOW DIE		
12.	803-084C	NUT HEX NYLOCK 5/16-18 PLT		
13.	805-063C	PIN COTTER 3/32 X 1 LONG		
14.	805-066C	PIN CLEVIS 5/16 X 1 LONG		
15.	807-230C	SPRING TORSION .070 WIRE	S/N (391431+)	
16.	815-148C	SINGLE RESEVOIR BRAKE FLUID BOTTLE		
17.	815-149C	SINGLE MASTER CYLINDER	Includes Master Cylinder Boot	
18.	815-152C	MASTER CYLINDER BOOT		
19.	815-161C	BRACKET MOUNTING SINGLE		
20.	815-166C	4200ATR 61" STEEL BRAKE LINE		
21.	815-167C	BULK HEAD FLOW THROUGH		
22.	815-168C	COPPER PRESSURE WASHER		
23.	815-169C	FLOW THROUGH BOLT COPPER		
24.	817-526C	BUSHING 3/4ODX5/8IDX3/4 FLG HD		
25.	840-104C	11.5" FUEL LINE/HYD FLUID RESERVIOR.		
26.	840-134C	BRAKE/ACCELERATOR PEDAL RUBBER		

Brake System, Rear End

Applies to 4200ATR



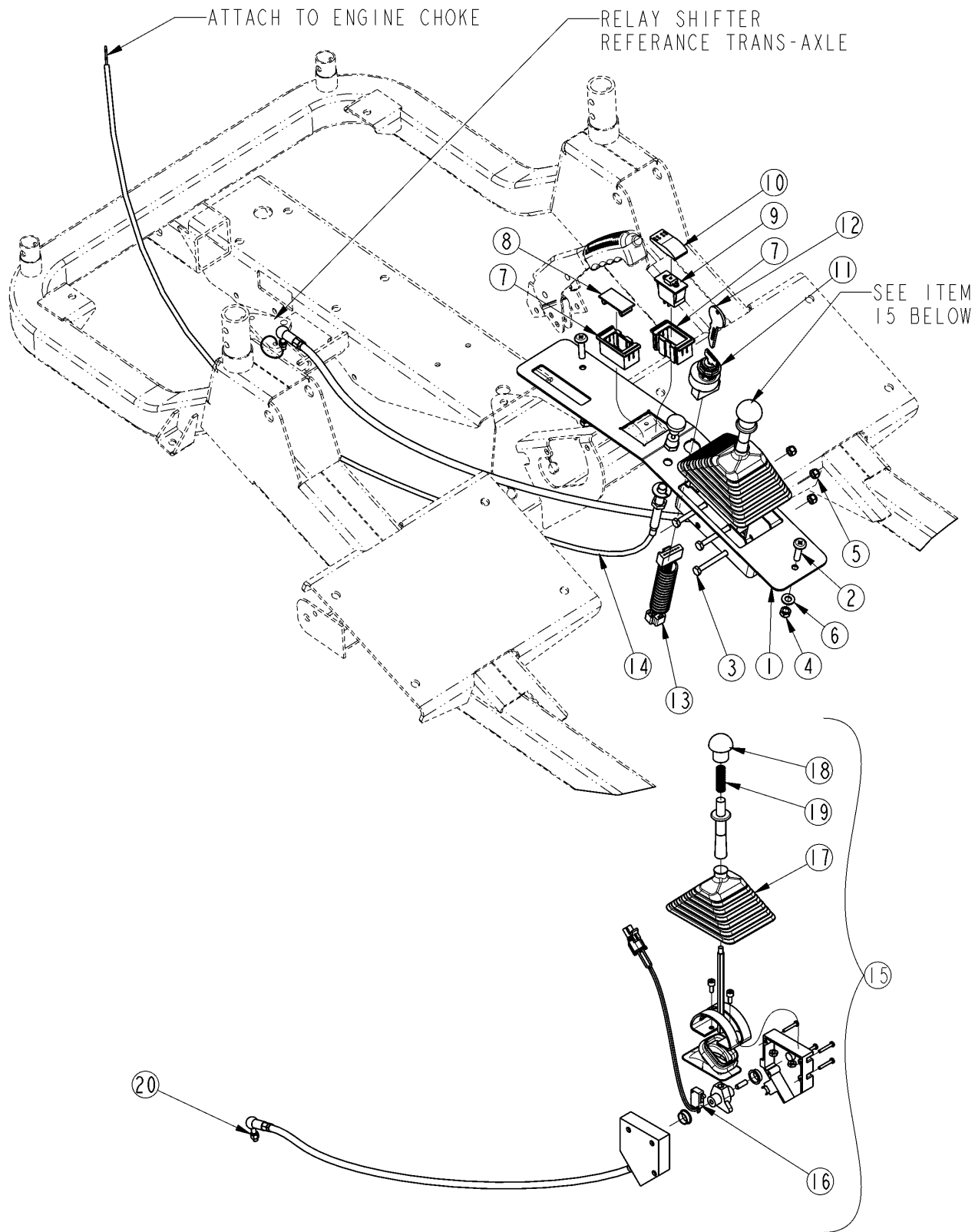
21010

Brake System, Rear End**Applies to 4200ATR**

Ref	Part No.	Part Description	Comments	Revision
		Image Reference: 21010		
1.	710-042H	EQUALIZER PARK BRAKE WELDMENT		
2.	800-347C	WIRING/TUBE CLIP FOR 1/4 OD		
3.	800-351C	E RETAINING RING EXTERNAL		
4.	801-174C	HH DRILL SCREW 1/4 X 3/4LG		
5.	801-175C	FSHCS 1/4-20X1 1/2 YELLOW DIE		
6.	802-731C	HHCS M8X1.25X30 GR10.9 YLW PLT		
7.	802-735C	HHCS 5/16-18X3/4 GR5 YELLOW DI		
8.	803-084C	NUT HEX NYLOCK 5/16-18 PLT		
9.	803-255C	NUT HEX NYLOCK 1/4-20		
10.	803-329C	NUT LUG 1/2-20X60DEG PLT(.81AF		
11.	804-046C	WASHER FLAT #10 SAE PLT		
12.	804-157C	WASHER SPRING LOCK M8 PLT		
13.	805-063C	PIN COTTER 3/32 X 1 LONG		
14.	805-066C	PIN CLEVIS 5/16 X 1 LONG		
15.	805-336C	CLEVIS PIN 6MMX16MM USEABLE LNPTH		
16.	805-342C	PIN CLEVIS 1/4 X 3/4		
17.	815-145C	RH DRUM ASM 180mm 4 ON 4" BC		
18.	815-146C	LH DRUM ASM 180mm 4 ON 4" BC		
19.	815-153C	PARK BRAKE LEVER		
20.	815-165C	REAR BRAKE LINE 28.3		
21.	815-166C	4200ATR 61" STEEL BRAKE LINE		
22.	815-170C	3 WAY HYDRAULIC FITTING WITH ACTUATOR		
23.	815-171C	BRAKE-LIGHT ACTUATOR		
24.	840-003C	PARK BRAKE CABLE 31"LG		

Center Console Components

Applies to 4200ATR



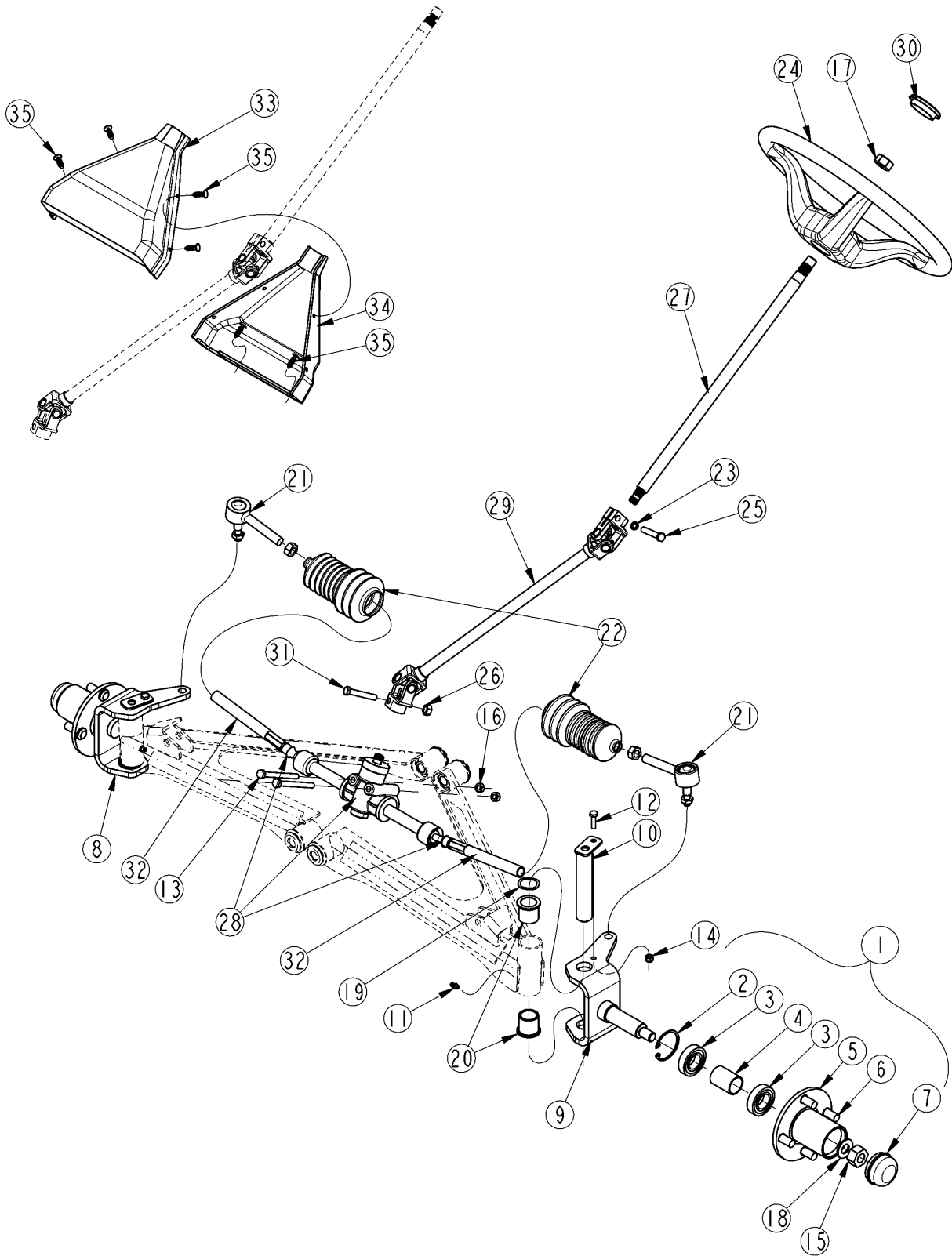
21011

Center Console Components**Applies to 4200ATR**

Ref	Part No.	Part Description	Comments	Revision
		Image Reference: 21011		
1.	710-028H	SHIFTER CONSOLE WELDMENT		
2.	801-184C	PAN HD 5/16-18 1.25LG PHILLPS		
3.	802-551C	HHCS 1/4-20X2 1/4 GR5		
4.	803-084C	NUT HEX NYLOCK 5/16-18 PLT		
5.	803-255C	NUT HEX NYLOCK 1/4-20		
6.	804-084C	WASHER FLAT 5/16 HARD ASTM436		
7.	833-267C	SWITCH MOUNT END		
8.	833-268C	PANEL PLUG		
9.	833-269C	SWITCH ROCKER SPST		
10.	833-271C	SWITCH ACTUATOR		
11.	833-336C	IGNITION SWITCH W/2 KEYS(6PIN)	S/N (418339+)	
11.	833-270C	IGNITION SWITCH W/2 KEYS	S/N (418338-)	
12.	833-342C	KEY W/SHIELD (RP FOR 833-336C)	S/N (418339+)	
12.	833-325C	KEY IGNITION (RP KEY 833-270C)	S/N (418338-)	
13.	833-343C	HARNESS ADAPTER IGNITION/HOBBS	S/N (418339+)	
14.	840-001C	CHOKE CABLE		
15.	840-112C	4200ATR SHIFT CABLEASSEMBLY		
16.	IC-3586	KIT MICRO SWITCH W/WIRES		
17.	IC-3180	RUBBER SHIELD/SELECTOR CONROL		
18.	IC-3514	KNOB, SELCECTOR CONTROL		
19.	807-235C	SPRING COMP.5DX.406IDX1.5L.04W		
20.	803-154C	NUT HEX LOCK M6 PLT		

Steering Components

Applies to 4200ATR



21004

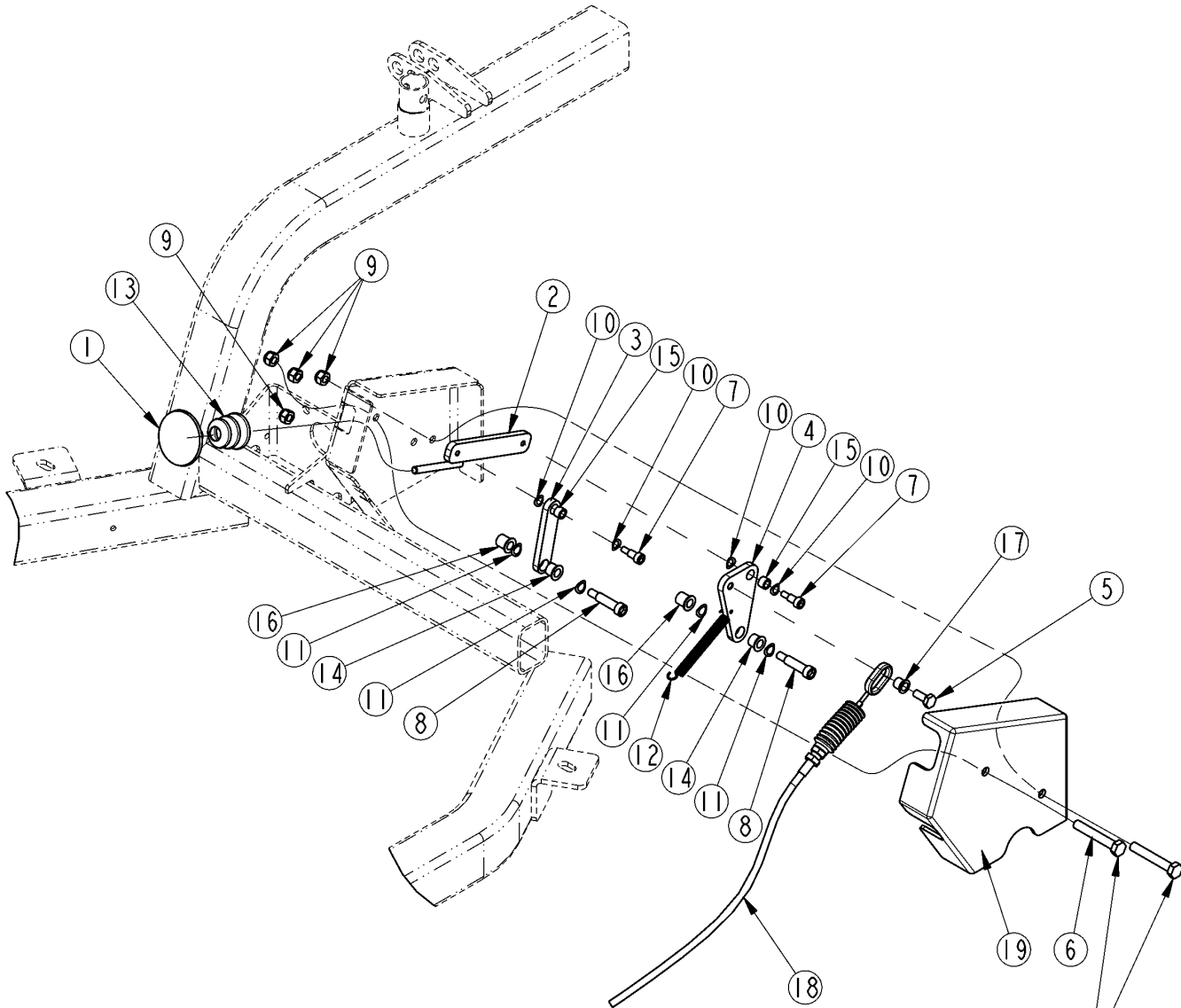
Steering Components

Applies to 4200ATR

Ref	Part No.	Part Description	Comments	Revision
		Image Reference: 21004		
1.	710-026S	HUB WHEEL FRONT ASSY 4 ON 4"BC		
2.	800-088C	SNAP RING INT 2.000		
3.	822-201C	BRG BALL R16RS 2OD 1ID SEALED		
4.	710-090D	WHEEL HUB BEARING SPACER		
5.	710-005H	HUB WHEEL FRONT WLDT 4 ON 4"BC		
6.	802-725C	HUB STUD 1/2-20X1 1/4 GR5		
7.	890-799C	DUST CAP (FITS 1.982 ID)		
8.	710-009H	WHEEL YOKE RH WELDMENT		
9.	710-010H	WHEEL YOKE LH WELDMENT		
10.	710-011H	KING PIN WELDMENT		
11.	800-080C	GREASE ZERK 1/4-28 THD FORMING		
12.	802-005C	HHCS 1/4-20X1 GR5		
13.	802-727C	HHCS M8X1.25X90 GR8.8 YLW PLT		
14.	803-255C	NUT HEX NYLOCK 1/4-20		
15.	803-271C	NUT HEX TOP LOCK 5/8-11 PLT		
16.	803-278C	NUT HEX NYLOCK M8X1.25 PLT		
17.	803-283C	NUT HEX M16X2.00 PLT		
18.	804-021C	WASHER FLAT 5/8 SAE PLT		
19.	804-196C	WASHER WAVE DISC 1ID 1.31OD PL		
20.	827-060C	BUSHING FLANGED BRONZE		
21.	TS0061	OUTER TIE ROD END		
22.	0880001	BOOT KIT		
23.	804-157C	WASHER SPRING LOCK M8 PLT		
24.	840-113C	STEERING WHEEL	S/N (391387+	Rev. 2
24.	840-064C	STEERING WHEEL	S/N (391386-)	Rev. 1
25.	802-731C	HHCS M8X1.25X30 GR10.9 YLW PLT		
26.	803-280C	NUT HEX NYLOCK M10X1.5 PLT	S/N (391387+)	Rev. 2
26.	803-273C	NUT HEX NYLOCK 7/16-14 PLT	S/N (391386-)	Rev. 1
27.	840-083C	UPPER SHAFT		
28.	840-109C	RACK & PINION STEERING SPLINED	S/N (391387+)	Rev. 2
28.	840-016C	RACK & PINION STEERING	S/N (391386-)	Rev. 1
29.	840-111C	LOWER STEERING SHAFT SPLINED	S/N (391387+)	Rev. 2
29.	840-082C	LOWER SHAFT	S/N (391386-)	Rev. 1
30.	840-127C	STEERING WHEEL CAP FOR 840-113C	S/N (391387+)	Rev. 2
30.	840-145C	STEERING WHEEL CAP	S/N (391386-)	Rev. 1
31.	802-434C	HHCS M10X1.5X40 GR8.8		
32.	06709600	INNER TIE ROD END		
33.	817-523C	4200ATR UPPER STEERING COVER		
34.	817-524C	4200ATR LOWER STEERING COVER		
35.	817-527C	TREE RIVET		

Throttle Components

Applies to 4200ATR



TIGHTEN UNTIL BOLTS CONTACT PLASTIC.
IF THROTTLE STICKS LOSSEN BOLTS.

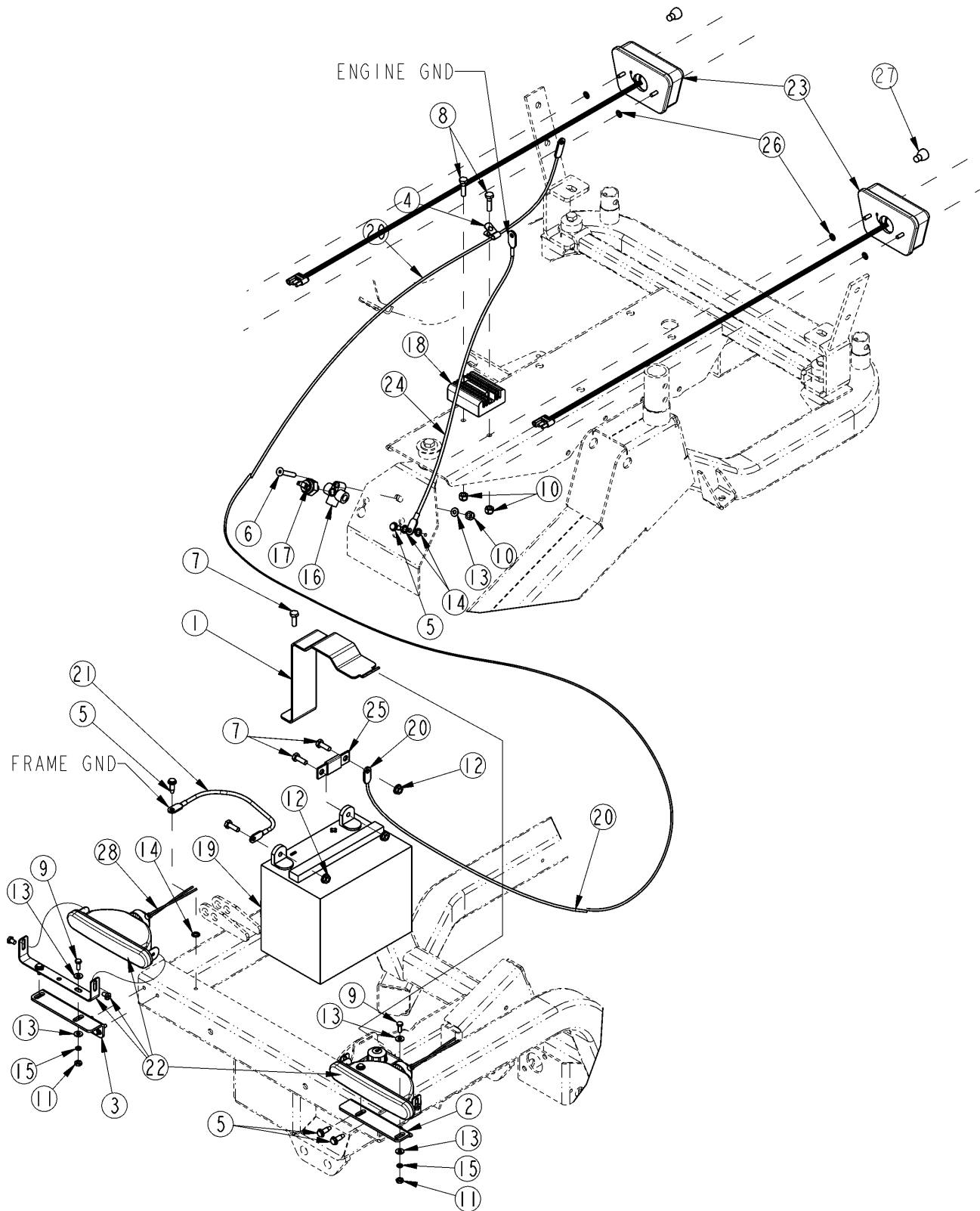
Throttle Components

Applies to 4200ATR

Ref	Part No.	Part Description	Comments	Revision
		Image Reference: 21012		
1.	710-029H	GAS PEDAL WELDMENT		
2.	710-041H	GAS RELAY PUSH WELDMENT		
3.	710-086D	STRAP GAS RELAY HINGE 2 HOLE		
4.	710-087D	STRAP GAS RELAY HINGE 3 HOLE		
5.	802-078C	HHCS 1/4-20X5/8 GR5		
6.	802-115C	HHCS 5/16-18X2 GR5		
7.	802-733C	SHOULDER BOLT 1/4" 10-24NC		
8.	802-734C	SHOULDER BOLT 5/16" 1/4-20NC		
9.	803-255C	NUT HEX NYLOCK 1/4-20		
10.	804-198C	WASHER DISC SPRING 1/4		
11.	804-199C	WASHER DISC SPRING 5/16		
12.	807-209C	SPRING EXT. 3/8OD .045W 2.5LG		
13.	815-152C	MASTER CYLINDER BOOT		
14.	827-061C	BUSHING FLANGED BRONZE 5/16 ID		
15.	827-062C	BUSHING SLEEVE BRONZE 1/4" ID		
16.	827-063C	BUSHING FLANGED BRONZE 5/16 ID		
17.	827-065C	BUSHING .377ODX.314IDX.375BRNZ		
18.	840-002C	THROTTLE CABLE		
19.	840-084C	COVER THROTTLE RELAY PLASTIC		

Electrical Components

Applies to 4200ATR



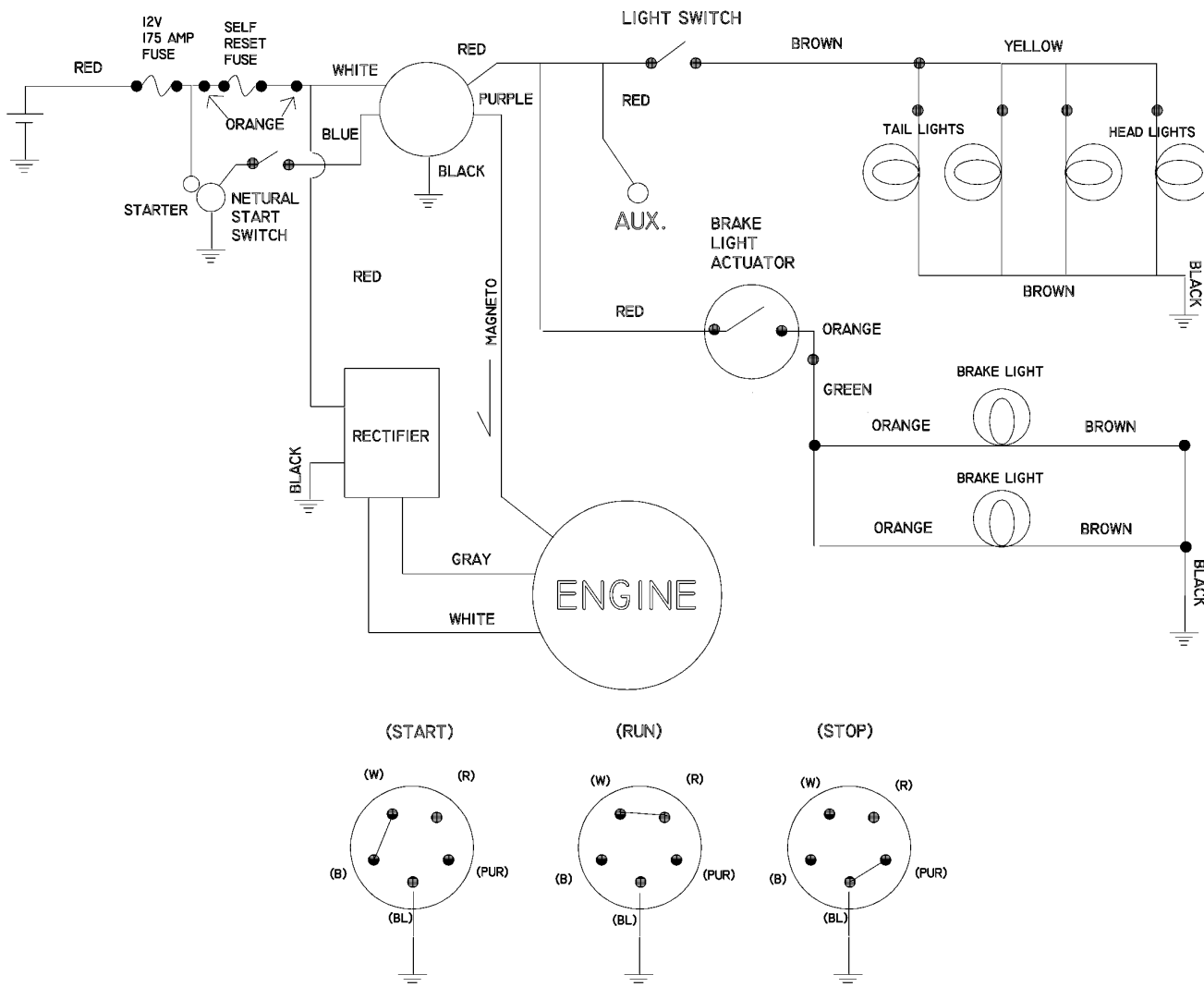
21155

Electrical Components**Applies to 4200ATR**

Ref	Part No.	Part Description	Comments	Revision
		Image Reference: 21155		
1.	710-093D	STRAP BATTERY HOLD DOWN		
2.	710-106D	BRACKET HEADLIGHT MOUNTING LH		
3.	710-107D	BRACKET HEADLIGHT MOUNTING RH		
4.	800-347C	WIRING/TUBE CLIP FOR 1/4 O.D		
5.	801-174C	HEX DRILL SCREW 1/4 X 3/4 LG		
6.	801-175C	FSHCS 1/4-20X1 1/2 YELLOW DIE		
7.	802-004C	HHCS 1/4-20X3/4 GR5		
8.	802-005C	HHCS 1/4-20X1 GR5		
9.	802-493C	HHCS #10-32 X 1/2		
10.	803-255C	NUT HEX NYLOCK 1/4-20		
11.	803-269C	NUT HEX 10-32 PLT		
12.	803-293C	NUT HEX FLNG T-LOCK 1/4-20		
13.	804-046C	WASHER FLAT #10 SAE PLT		
14.	804-049C	WASHER LOCK INTERNAL TOOTH 1/4		
15.	804-054C	WASHER LOCK #10		
16.	815-170C	3 WAY HYD FITTING WITH ACTUATOR		
17.	815-171C	BRAKE-LIGHT ACTUATOR		
18.	840-144C	VOLTAGE REGULATOR 826-408C		
19.	N/A	BATTERY SIZE BCI, GROUP U1/U1R, MIN. 300CCA.		
20.	833-273C	7' 4GA POSITIVE RED CABLE		
21.	833-274C	10" x 6 GA NEGATIVE BLACK CABLE		
22.	833-275C	HEADLIGHT		
23.	833-277C	TAILLIGHT		
24.	833-303C	20" 6GA NEGATIVE BLACK CABLE		
25.	833-309C	FUSE LINK 46273		
26.	840-105C	PUSH RETAINERS 4 NON-THIRD SHIFT		
27.	N/A	STOP LIGHT / TAIL LIGHT BULB	BULB #1157 (Available through your local auto parts store)	
28.	N/A	HEAD LIGHT BULB	BULB #H3 (Available through your local auto parts store)	

Electrical Schematic

Applies to 4200ATR



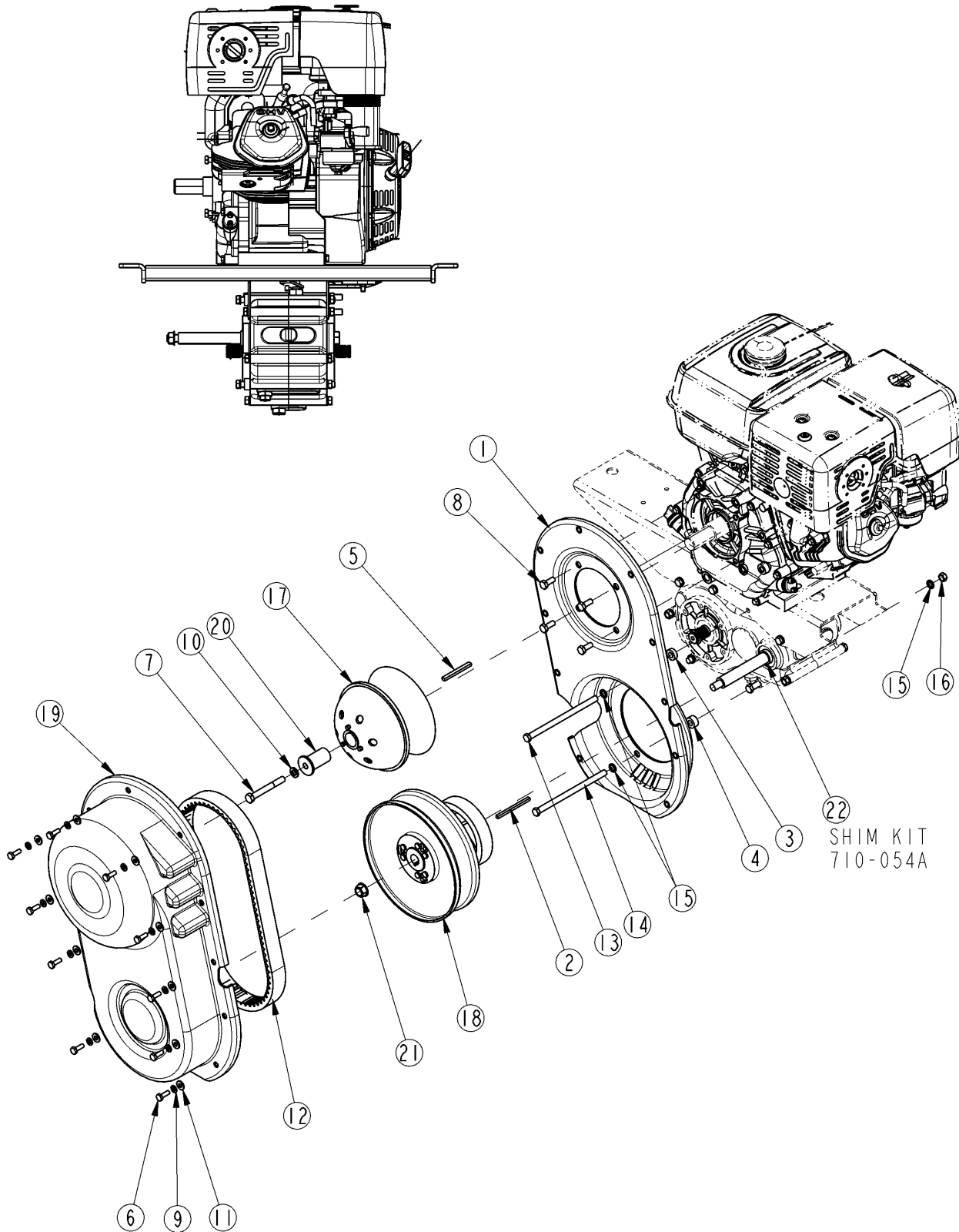
Electrical Schematic

Applies to 4200ATR

Ref	Part No.	Part Description	Comments	Revision
	833-276C	Image Reference: 21202 Wiring Harness, ATR 4200		

Belt Drive

Applies to 4200ATR



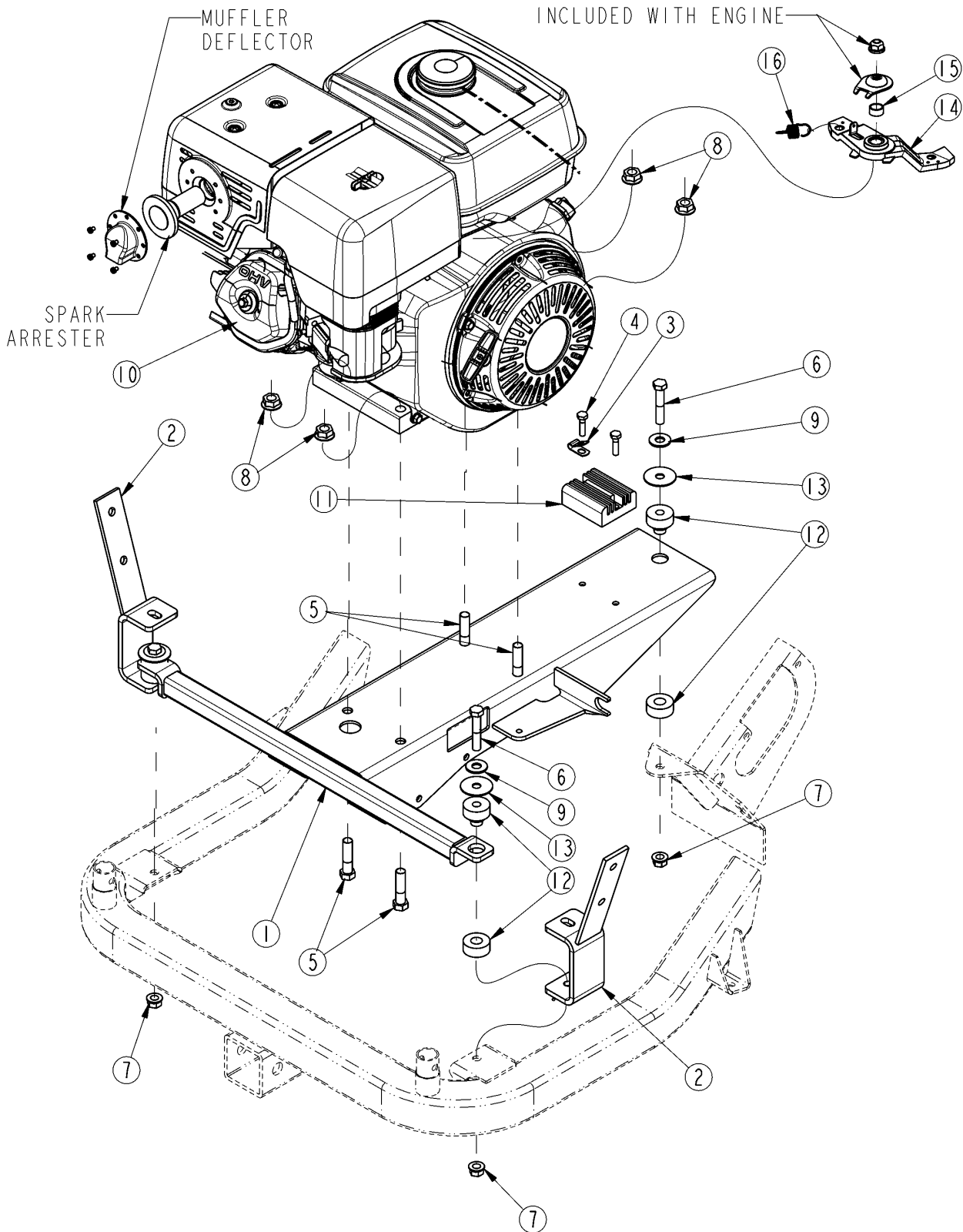
21163

Belt Drive**Applies to 4200ATR**

Ref	Part No.	Part Description	Comments	Revision
		Image Reference: 21163		
1.	710-063S	TORQUE CONV. COVER W/ NUTZERT		
2.	710-097D	KEY 3/16 X 3		
3.	710-101D	SPACER TUBE 1/4"LG (UP CVT CVR		
4.	710-102D	SPACER TUBE 3/8"LG(LOWER CVT CVR		
5.	800-350C	KEY .187 X .247 X 2.5 LG		
6.	802-004C	HHCS 1/4-20X3/4 GR		
7.	802-245C	HHCS 3/8-24X3 GR5		
8.	802-314C	HHCS M8X1.25X20 GR8.8		
9.	804-006C	WASHER LOCK SPRING 1/4 PLT		
10.	804-013C	WASHER LOCK SPRING 3/8 PLT		
11.	804-117C	WASHER FLAT 1/4 HARD ASTM F436		
12.	816-410C	BELT CVT 4200ATR		
13.	D2016	SCREW M8X150	SEE TRANSFER CASE	
14.	D2015	SCREW M8X160	SEE TRANSFER CASE	
15.	D2020	WASHER LOCK 8MM	SEE TRANSFER CASE	
16.	D2018	NUT M8	SEE TRANSFER CASE	
17.	826-411C	CVT DRIVER 4200ATR	INCLUDES ITEM #20	
18.	826-412C	CVT DRIVEN 4200 ATR		
19.	840-075C	COVER TORQUE CONVERTER FRONT		
20.	840-135C	ADAPTER CVT DRIVEN	(S/N 391436+)	Rev. 2
20.	N/A	CAP WASHER & SPACER	(S/N 391435-)REPLACED BY 840-135C	Rev. 1
21.	D2019	NUT M12X1.5		
22.	710-054A	CVT SHIM KIT	SEE TRANSFER CASE	

Engine With Mounts

Applies to 4200ATR



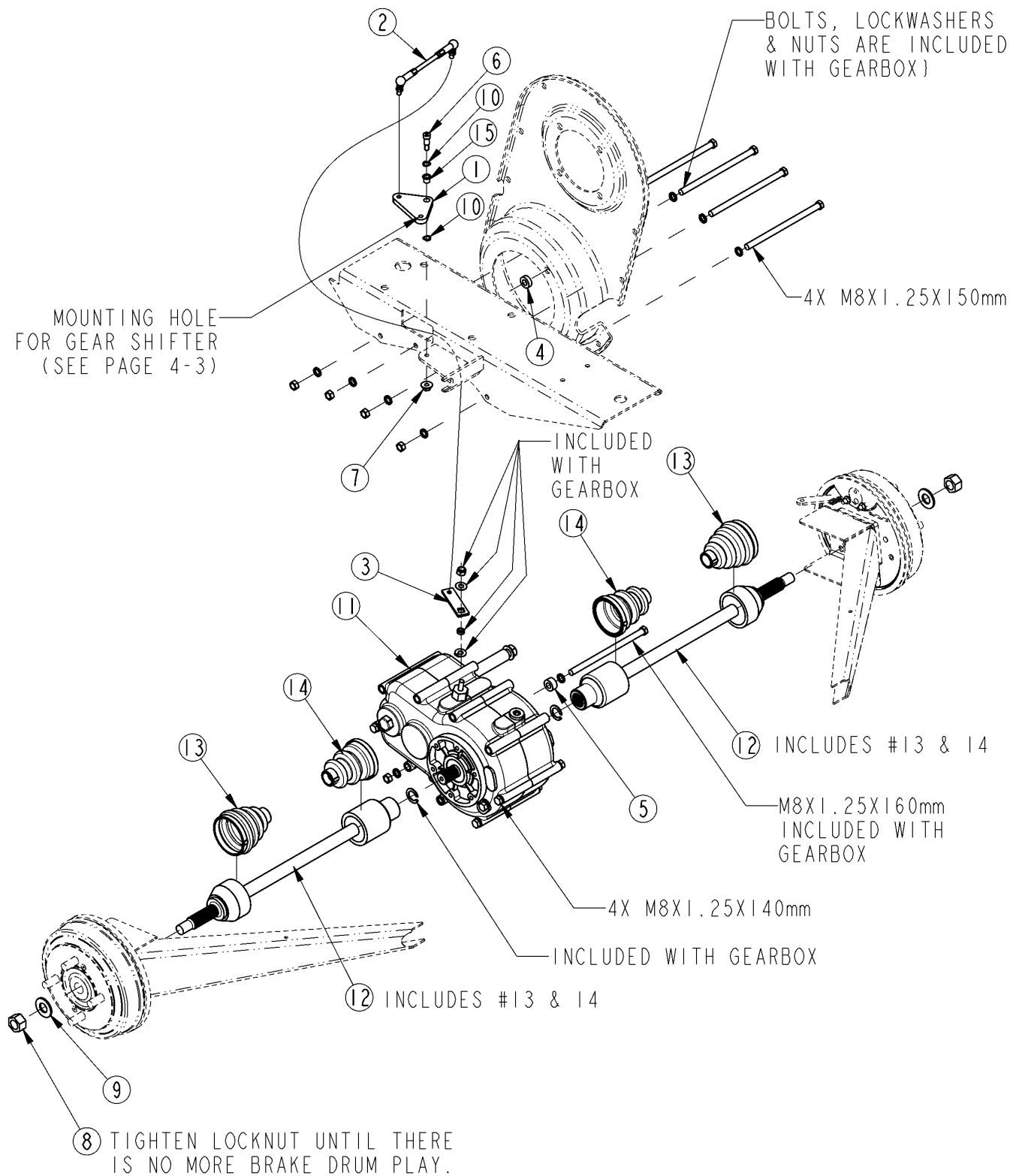
21161

Engine With Mounts**Applies to 4200ATR**

Ref	Part No.	Part Description	Comments	Revision
		Image Reference: 21161		
1.	710-004H	MOUNT ENGINE & AXLE WELDMENT		
2.	710-049H	BODY MOUNT WELDMENT		
3.	800-347C	WIRING/TUBE CLIP FOR 1/4 O.D		
4.	802-005C	HHCS 1/4-20X1 GR5		
5.	802-113C	HHCS 7/16-14X1 3/4 GR5		
6.	802-143C	HHCS 3/8-16X2 GR5		
7.	803-209C	NUT FLANGE LOCK 3/8-16 PLT		
8.	803-229C	NUT HEX FLANGE LOCK 7/16-14 PLT		
9.	804-011C	WASHER FLAT 3/8 USS PLT		
10.	826-408C	13HP HONDA ENGINE W/ VOLT REG	#GX390K1QNE2	
11.	840-144C	VOLTAGE REGULATOR		
12.	840-080C	MOUNT MOTOR H SYTLE		
13.	840-108C	WASHER FENDER 1.5OD X .4ID X .06T		
14.	710-050S	THROTTLE LEVER W/BEARING		
15.	710-127D	SPACER, THROTTLE LEVER		
16.	807-223C	SPRING EXT. .43OD .035W 1.0"LG		
		HONDA ENGINE INFORMATION		
		Honda Gas Cap	17620-Zh7-023	
		Spark Plug	BPR6ES / W20EPRV	
		Honda Spark Arrestor	18355-ZE2-W00	
		Honda Air filter (Paper & Foam Element)	17210-ZE3-505	
		Honda Air Filter (Foam Element)	17218-ZE3-505	
		Honda Snap Ring (Throttle Cable)	90605-230-000	
		Honda Jet Kit (Elevation 0-4,999 ft.)	99101-ZH8-0920	
		Honda Jet Kit (Elevation 5,000 - 7,999 ft.)	99101-ZH8-0900	
		Honda Jet Kit (Elevation 8,000 ft. and up)	99101-ZH8-0880	

Trans-axle

Applies to 4200ATR



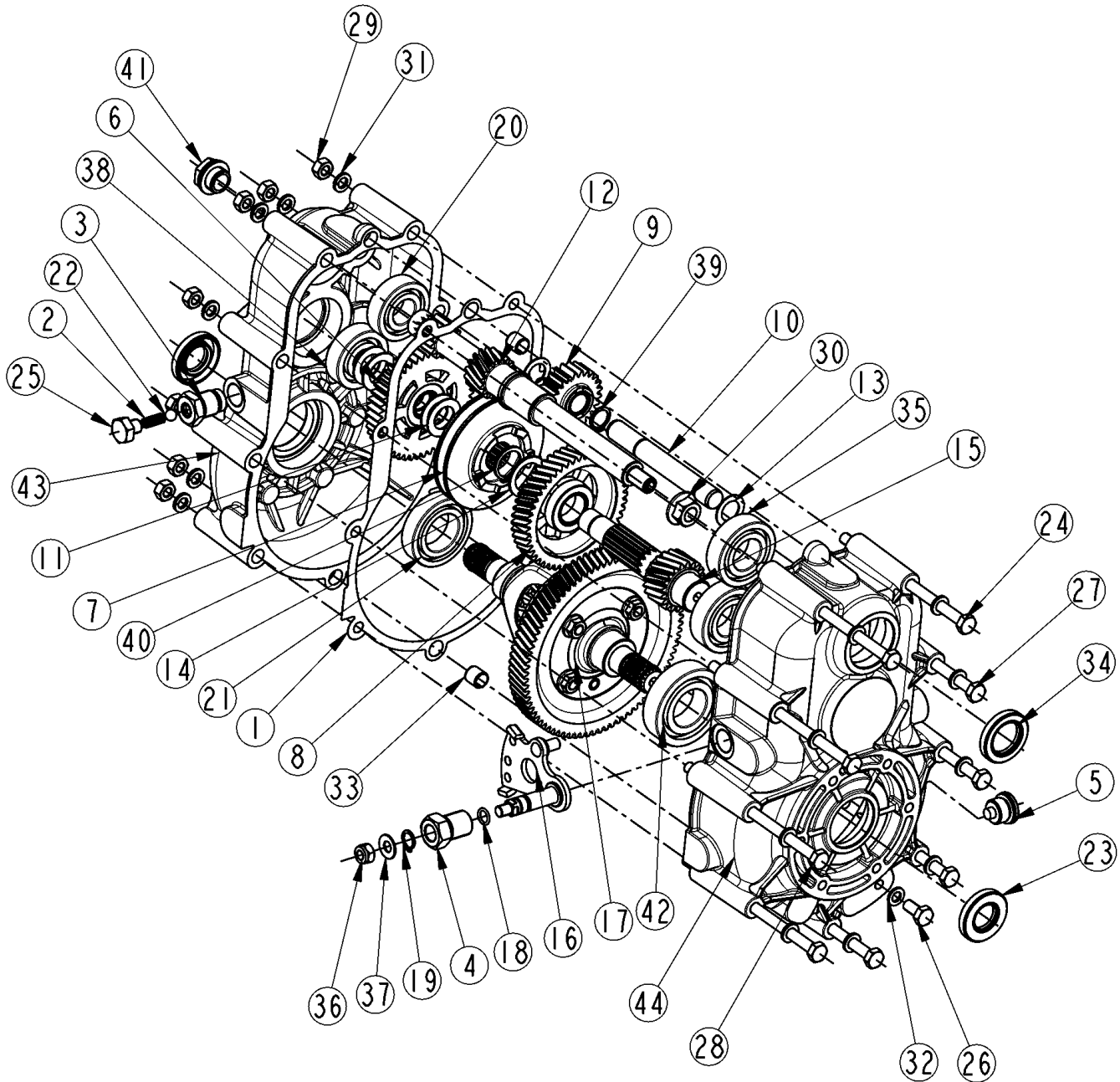
21162

Trans-axle**Applies to 4200ATR**

Ref	Part No.	Part Description	Comments	Revision
		Image Reference: 21162		
1.	710-081D	RELAY SHIFTER		
2.	710-082D	LINK SHIFTER		
3.	710-098D	GEARBOX ARM SHIFTER-LINK		
4.	710-101D	SPACER TUBE 1/4LG (UP CVT CVR)		
5.	710-102D	SPACER TUBE 3/8"LG(LWR CVT CVR)		
6.	802-740C	SHOULDER BOLT 5/16X.50 1/4-20UNC		
7.	803-088C	NUT HEX LOCK 1/4-20 FLG		
8.	803-332C	NUT HEX M16X1.5 TOP LOCK PLT		
9.	804-021C	WASHER FLAT 5/8 SAE PLT		
10.	804-199C	WASHER DISC SPRING 5/16		
11.	826-394C	GEARBOX D700 MODIFIED		
12.	826-402C	REAR AXLE SHAFT NARROW		
13.	5048	OUTER BOOT KIT W/ 2 CLAMPS		
14.	5051	INNER BOOT KIT W/2 CLAMPS		
15.	827-065C	BUSHING .377 OD X .314 ID X .375 BRONZE		
		IMPORTANT NOTES		
		1. Use 80/90 gear lube when changing transfer case Oil.		
		2. Transfer case oil capacity = 20 fl. oz. U.S.		

Transfer Case Components

Applies to 4200ATR



21170

Transfer Case Components

Applies to 4200ATR

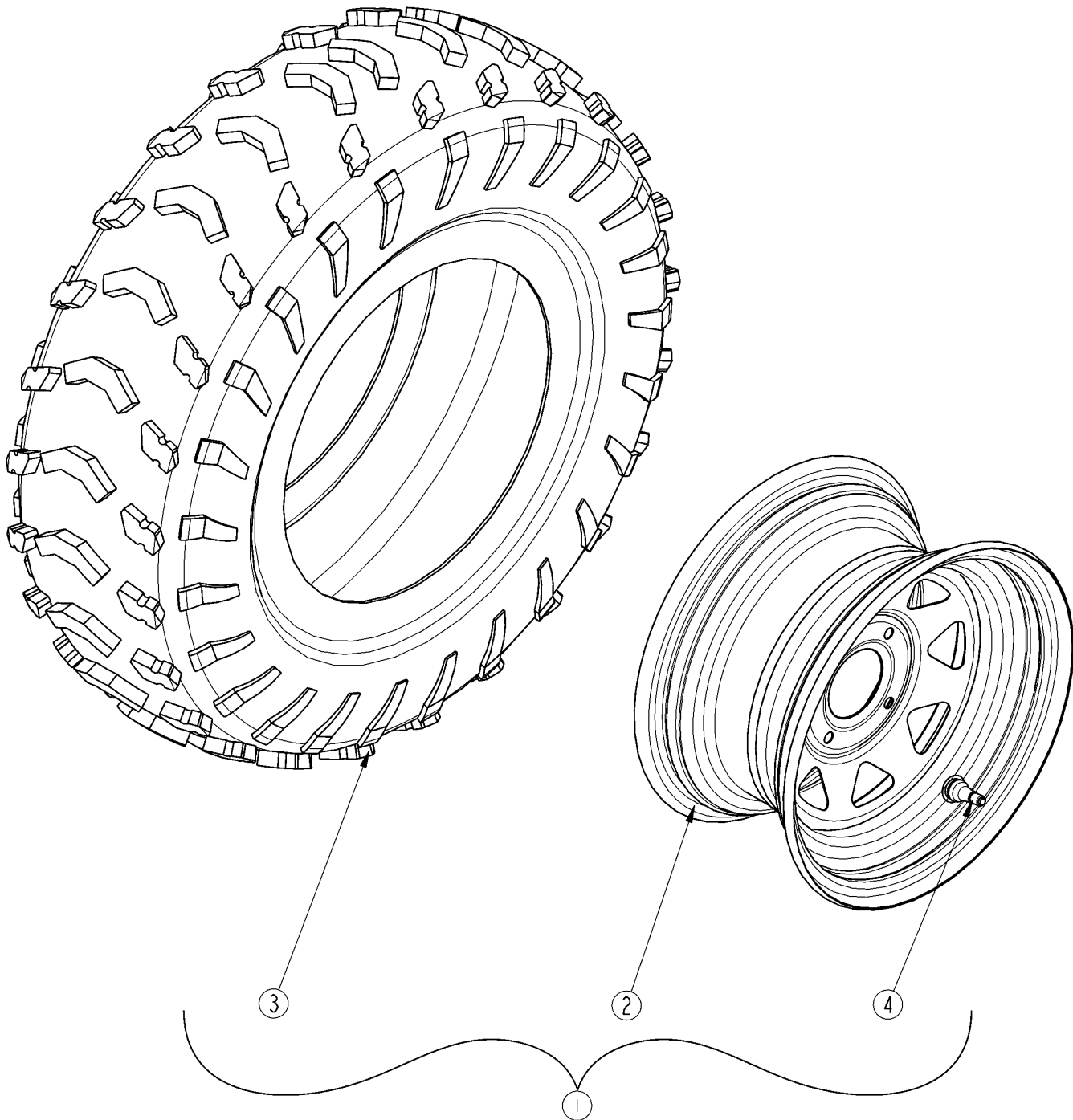
Ref	Part No.	Part Description	Comments	Revision
		Image Reference: 21170		
1.	D1017	GASKET		
2.	D1018	SPRING		
3.	D1029	SPRING HOLDER BUSH		
4.	D1131	GEAR LEVER CONTROL		
5.	D1178	DRAIN PLUG		
6.	D1382	REVERSE GEAR		
7.	D1383	COUPLING/ SLEAVE CLUTCH		
8.	D1386	GEAR REDUCTION		
9.	D1387	GEAR IDLE		
10.	D1388	SHAFT REVERSE		
11.	D1397	THRUST WASHER 18X30X1		
12.	D1401	SHAFT		
13.	CMX-D1402	CMX THRUST WASHER 16X25.8		
14.	D1470	BUSHING		
15.	D1505	SHAFT SECOND REDUCTION		
16.	D1509	PIVOT ARM ASSY		
17.	D1547	DIFFERENTIAL		
18.	D2000	GASKET 12MM		
19.	D2003	RING E/Z		
20.	D2004	BEARING 20X47X14		
21.	D2005	BEARING, 30X55X13		
22.	D2008	SPHERE 8MM		
23.	D2010	OIL SEAL 40MM OD X 20MM ID		
24.	D2012	SCREW M8440		
25.	D2013	SCREW M10X10		
26.	D2014	STOPPER LEVEL OIL M8X10		
27.	D2015	SCREW M8X1.25-160 CDQ 8.8		
28.	D2016	SCREW M8X150		
29.	D2018	NUT M8		
30.	D2019	NUT M12X1.5		
31.	D2020	WASHER LOCK 8MM		
32.	D2021	WASHER FLAT		
33.	D2022	GUIDE PIN 12X9X12		
34.	D2039	INPUT SHAFT SEAL 25X40X7		
35.	D2040	BEARING 25X52X15		
36.	D2041	NUT M8		
37.	CMX-D2047	DISK ELASTIC 8.2X18X11.5		
38.	D2058	BEARING 17X47X14		
39.	D2059	RING SNAP E 15		
40.	D2073	RING SNAP		
41.	D2081	STOPPER		
42.	D2085	BEARING 30X62X16		
43.	D962	RH BOX		
44.	D963	LH BOX		

IMPORTANT NOTES:

1. Use 80/90 gear lube when changing transfer case oil.
2. Transfer case oil capacity = 20 fl. oz. U.S.

Front Tires

Applies to 4200ATR



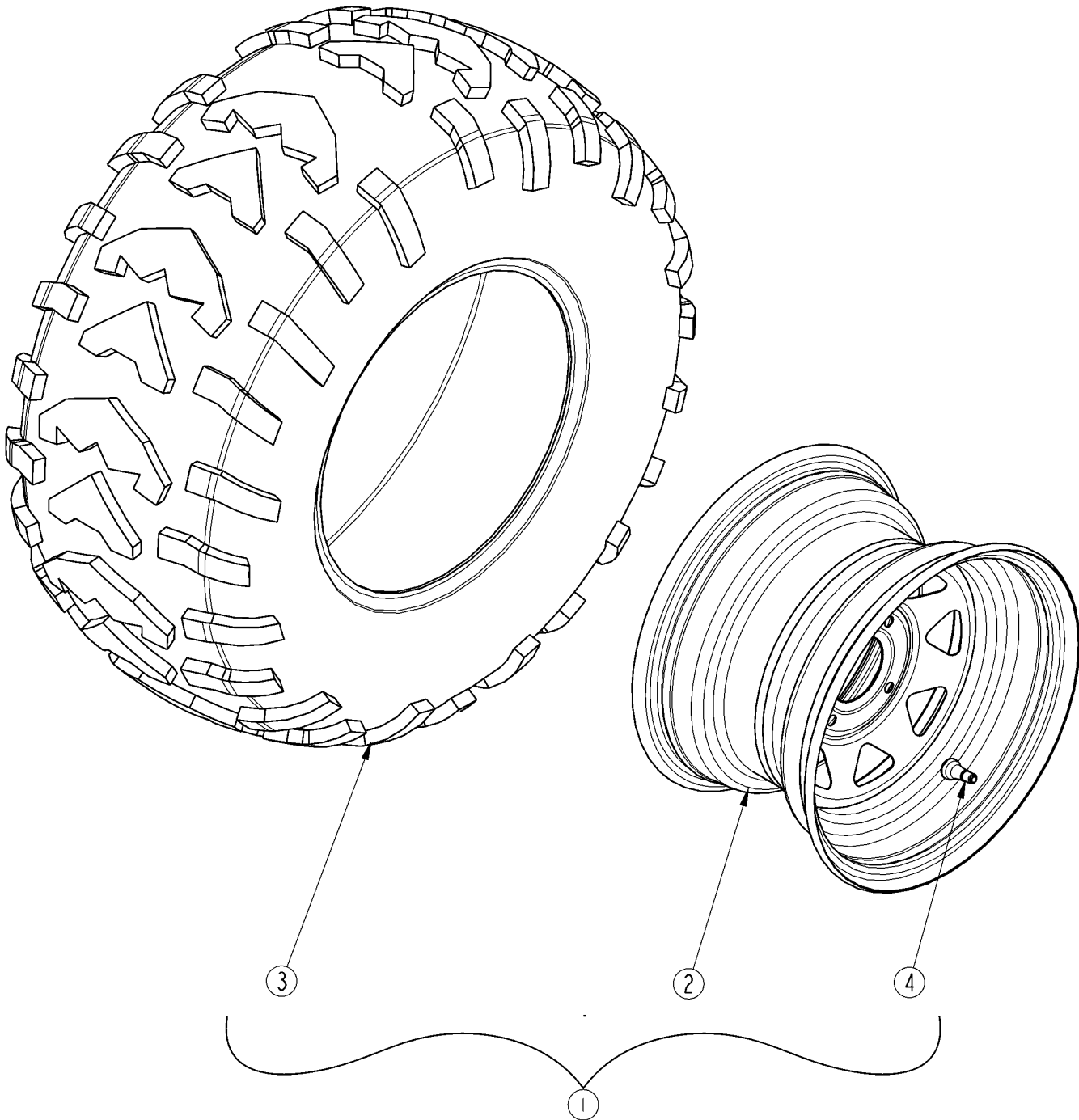
21158

Front Tires**Applies to 4200ATR**

Ref	Part No.	Part Description	Comments	Revision
		Image Reference: 21158		
1.	710-019S	TIRE & RIM FRONT RIGHT AT489		
1.	710-036S	TIRE & RIM FRONT LEFT AT489		
2.	814-214C	RIM 12 X 7 4 BOLT ON 4 B.C.		
3.	814-216C	TIRE 25 X 8 X 12 AT489		
4.	816-035C	VALVE STEM TR415X.625X1 1/4 LG		

Rear Tires

Applies to 4200ATR



21157

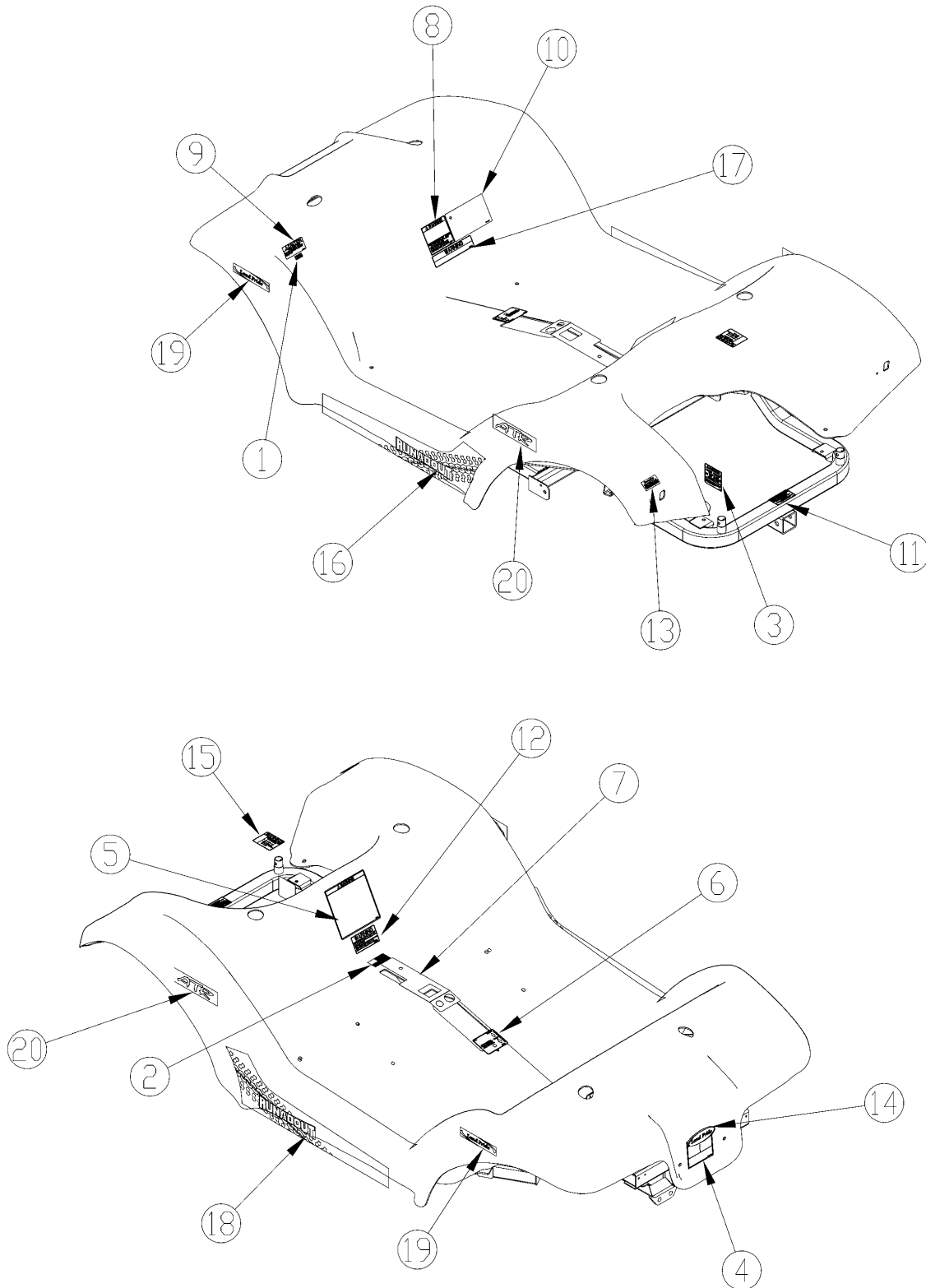
Rear Tires

Applies to 4200ATR

Ref	Part No.	Part Description	Comments	Revision
		Image Reference: 21157		
1.	710-018S	TIRE & RIM REAR RIGHT AT489		
1.	710-035S	TIRE & RIM REAR LEFT AT489		
2.	814-215C	RIM 12 X 8.5 4 BOLT ON 4" B.C.		
3.	814-217C	TIRE 25 X 11 X 12 AT489		
4.	816-035C	VALVE STEM TR415X.625X1 1/4 LG		

Decals

Applies to 4200ATR



22444

Decals**Applies to 4200ATR**

Ref	Part No.	Part Description	Comments	Revision
		Image Reference: 22444		
1.	818-042C	DECAL PATENT PENDING		
2.	818-190C	DECAL FLAG		
3.	818-543C	DECAL DANGER PD GUARD MISS SML		
4.	838-303C	DECAL DANGER BATTERY		
5.	838-486C	DECAL WARNING GNRAL UTLTY VHCL		
6.	838-487C	DECAL CONTROL PANEL/GEAR SHFT		
7.	838-488C	DECAL CONTROL PANEL/PARK BRAKE		
8.	838-489C	DECAL WARNING ROLLOVER HAZARD		
9.	838-490C	DECAL CAUTION STOP ENGINE		
10.	838-491C	DECAL WARNING IMPROPER USE		
11.	838-493C	DECAL TRAILER TOWING INFORMAT		
12.	838-494C	DECAL WARNING (GVW) LOAD RATE		
13.	838-495C	DECAL HONDA	S/N 407616+	
13.	838-509C	RPBY 838-495C	S/N 407615-	
14.	838-507C	DECAL LP FRONT EMBLEM		
15.	838-508C	DECAL WARNING ENG. COOL B4 GAS		
16.	838-510C	DECAL RUNABOUT LOGO LH		
17.	838-532C	DECAL WARNING VEHICLE ROLLOVER		
18.	838-553C	DECAL RUNABOUT LOGO RH		
19.	838-644C	DECAL LAND PRIDE GOLD 6.42X1.3	S/N 407616+	
20.	838-645C	DECAL ATR SANDSTONE W/BLK BRDR	S/N 407616+	



Part Number Index

The Part Number Index is a numeric index of all part numbers included in this manual. The index shows what page(s) the part is used on.

Part Number	Page	Part Number	Page	Part Number	Page	Part Number	Page
06709600	29	800-080C	29	804-046C	25, 33	833-276C	35
0880001	29	800-088C	29	804-049C	33	833-277C	33
5048	41	800-128C	23	804-054C	33	833-303C	33
5051	41	800-347C	23, 25, 33, 39	804-084C	27	833-309C	33
700-018D	19	800-350C	37	804-117C	37	833-325C	27
700-045D	19	800-351C	25	804-135C	9	833-336C	27
701-014A	13	800-356C	23	804-157C	25, 29	833-342C	27
710-001H	15	801-174C	19, 23, 25, 33	804-196C	29	833-343C	27
710-004H	39	801-175C	25, 33	804-198C	31	838-303C	49
710-005H	29	801-184C	9, 27	804-199C	31, 41	838-486C	49
710-006H	11	802-004C	33, 37	804-201C	17	838-487C	49
710-007S	19	802-005C	29, 33, 39	805-063C	23, 25	838-488C	49
710-008S	19	802-013C	11	805-066C	23, 25	838-489C	49
710-009H	29	802-053C	19	805-336C	25	838-490C	49
710-010H	29	802-078C	31	805-342C	25	838-491C	49
710-011H	29	802-080C	19	807-209C	31	838-493C	49
710-018S	47	802-113C	39	807-223C	39	838-494C	49
710-019S	45	802-115C	31	807-230C	23	838-495C	49
710-020H	23	802-138C	11	807-235C	27	838-507C	49
710-021H	23	802-143C	39	814-214C	45	838-508C	49
710-022H	23	802-159C	23	814-215C	47	838-509C	49
710-023H	19	802-162C	19	814-216C	45	838-510C	49
710-024H	19	802-227C	17	814-217C	47	838-532C	49
710-025H	11	802-229C	17	815-145C	21, 25	838-553C	49
710-026S	29	802-245C	37	815-146C	21, 25	838-644C	49
710-027S	7	802-257C	19	815-148C	23	838-645C	49
710-028H	27	802-314C	37	815-149C	23	839-300C	17
710-029H	31	802-434C	29	815-152C	23, 31	839-303C	17
710-032S	19	802-493C	33	815-153C	25	840-001C	27
710-033S	19	802-551C	27	815-161C	23	840-002C	31
710-035S	47	802-573C	13	815-165C	25	840-003C	25
710-036S	45	802-723C	19	815-166C	23, 25	840-016C	29
710-038H	19	802-725C	29	815-167C	23	840-064C	29
710-039H	19	802-726C	19	815-168C	23	840-067C	19
710-041H	31	802-727C	29	815-169C	23	840-068C	19
710-042H	25	802-731C	25, 29	815-170C	25, 33	840-073C	17
710-046H	13	802-732C	23	815-171C	25, 33	840-075C	37
710-049H	39	802-733C	31	816-035C	45, 47	840-080C	39
710-050S	39	802-734C	31	816-410C	37	840-082C	29
710-052D	11	802-735C	17, 25	816-432C	19	840-083C	29
710-052H	23	802-740C	41	816-444C	19	840-084C	31
710-054A	37	803-027C	13	817-469C	13	840-104C	23
710-055S	7	803-078C	19	817-517C	19	840-105C	33
710-056S	7	803-084C	11, 23, 25, 27	817-523C	29	840-106C	9
710-058S	7	803-088C	41	817-524C	29	840-107C	9
710-059S	7	803-094C	19	817-525C	11	840-108C	39
710-061S	23	803-108C	17	817-526C	23	840-109C	29
710-063S	37	803-154C	27	817-527C	9, 29	840-111C	29
710-081D	41	803-177C	9	818-042C	49	840-112C	27
710-082D	41	803-209C	39	818-190C	49	840-113C	29
710-086D	31	803-229C	39	818-543C	49	840-127C	29
710-087D	31	803-255C	19, 25, 27, 29,	822-201C	29	840-134C	23
710-090D	29		31, 33	826-394C	41	840-135C	37
710-093D	33	803-269C	33	826-402C	41	840-144C	33, 39
710-094D	19	803-271C	29	826-408C	39	840-145C	29
710-095D	19	803-273C	29	826-411C	37	890-799C	29
710-096D	23	803-278C	29	826-412C	37	CMX-D1402	43
710-097D	37	803-280C	29	827-060C	29	CMX-D2047	43
710-098D	41	803-281C	19	827-061C	31	D1017	43
710-101D	37, 41	803-283C	29	827-062C	31	D1018	43
710-102D	37, 41	803-293C	33	827-063C	31	D1029	43
710-106D	33	803-319C	19	827-065C	31, 41	D1131	43
710-107D	33	803-329C	21, 25	833-267C	27	D1178	43
710-108D	17	803-332C	41	833-268C	27	D1382	43
710-109D	17	803-333C	17	833-269C	27	D1383	43
710-112D	9	804-006C	37	833-270C	27	D1386	43
710-113D	9	804-011C	17, 39	833-271C	27	D1387	43
710-114D	9	804-013C	37	833-273C	33	D1388	43
710-121D	9	804-021C	29, 41	833-274C	33	D1397	43
710-127D	39	804-023C	13	833-275C	33	D1401	43



Part Number Index (continued)

<u>Part Number</u>	<u>Page</u>
D1470	43
D1505	43
D1509	43
D1547	43
D2000	43
D2003	43
D2004	43
D2005	43
D2008	43
D2010	43
D2012	43
D2013	43
D2014	43
D2015	37, 43
D2016	37, 43
D2018	37, 43
D2019	37, 43
D2020	37, 43
D2021	43
D2022	43
D2039	43
D2040	43
D2041	43
D2058	43
D2059	43
D2073	43
D2081	43
D2085	43
D962	43
D963	43
F136	21
F137	21
F175	21
F176	21
F177	21
F178	21
F179	21
F258	21
F261	21
F609	21
F610	21
F621	21
F622	21
F777	21
F792	21
F793	21
F827	21
F828	21
F852	21
F855	21
F908	21
F909	21
IC-3180	27
IC-3514	27
IC-3586	27
N/A	33, 37
TS0061	29



Great Plains Manufacturing, Inc.

Corporate Office: P.O. Box 5060
Salina, Kansas 67402-5060 USA

www.landpride.com
